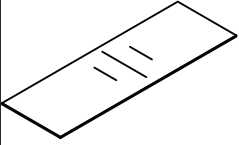
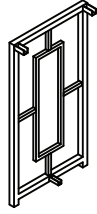


# ASSEMBLY INSTRUCTION

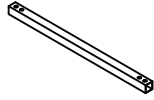
A-1pc



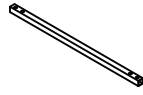
B-2pcs



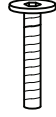
C-2pcs



D-1pc



E-12pcs



F-1pc



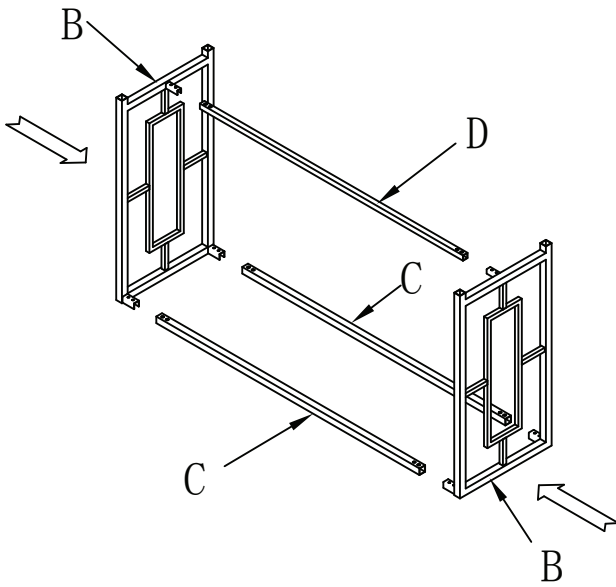
G-4pcs



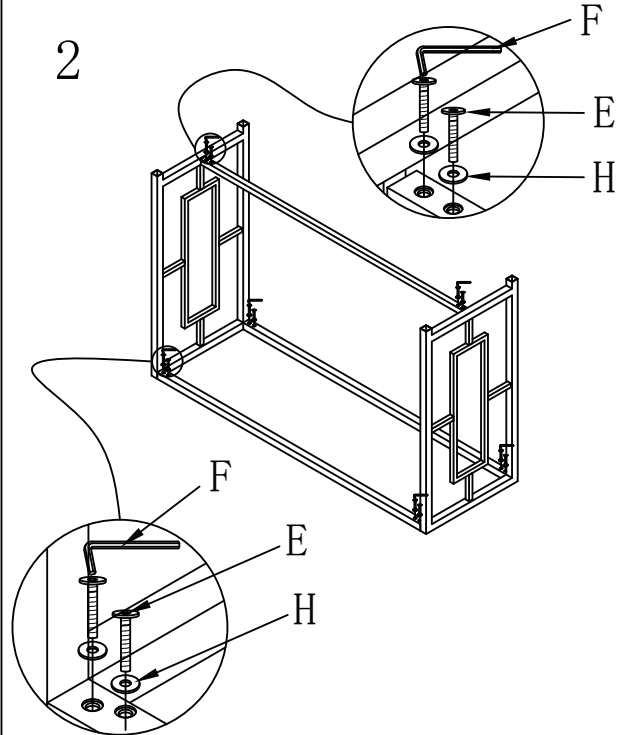
H-12pcs



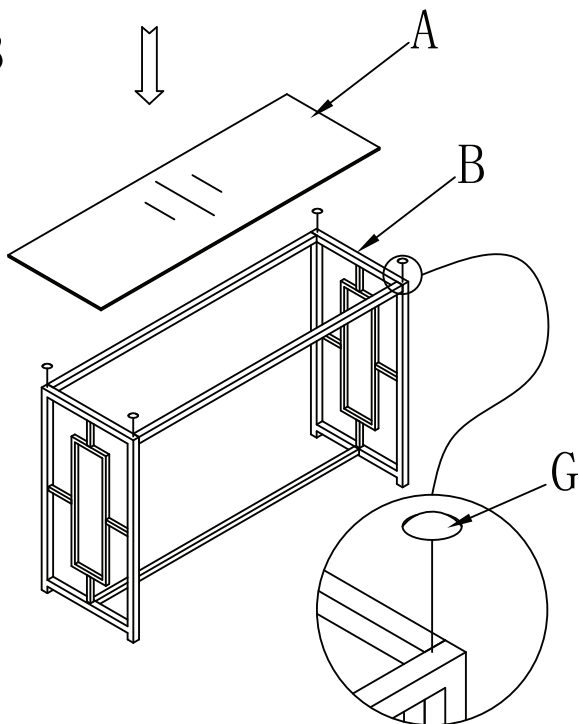
1



2



3



4

