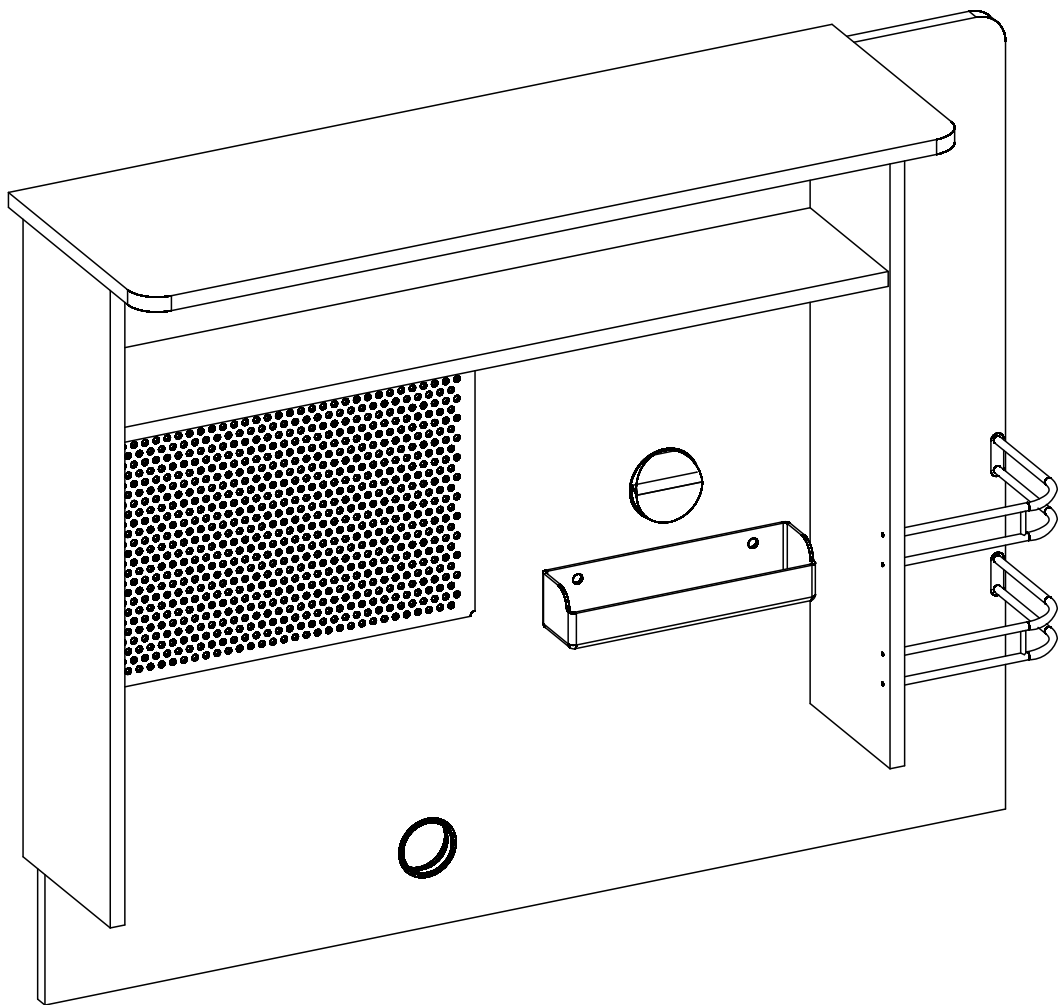
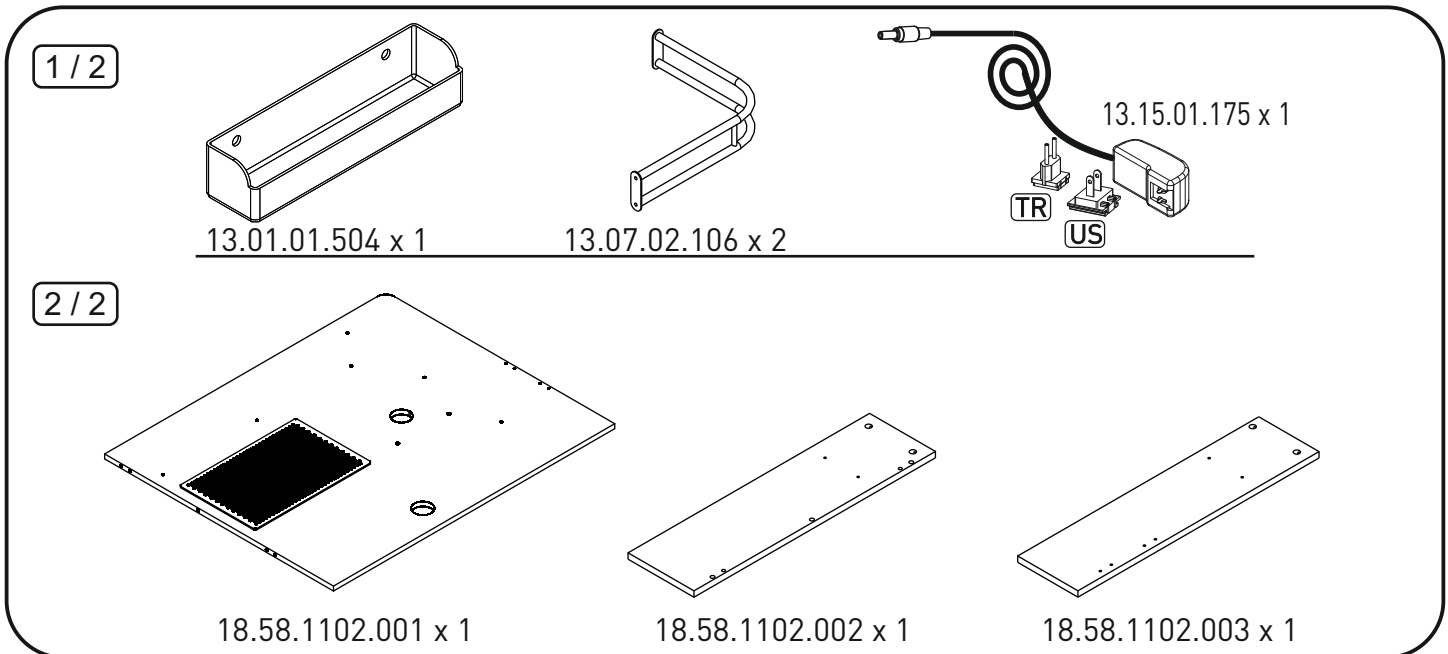
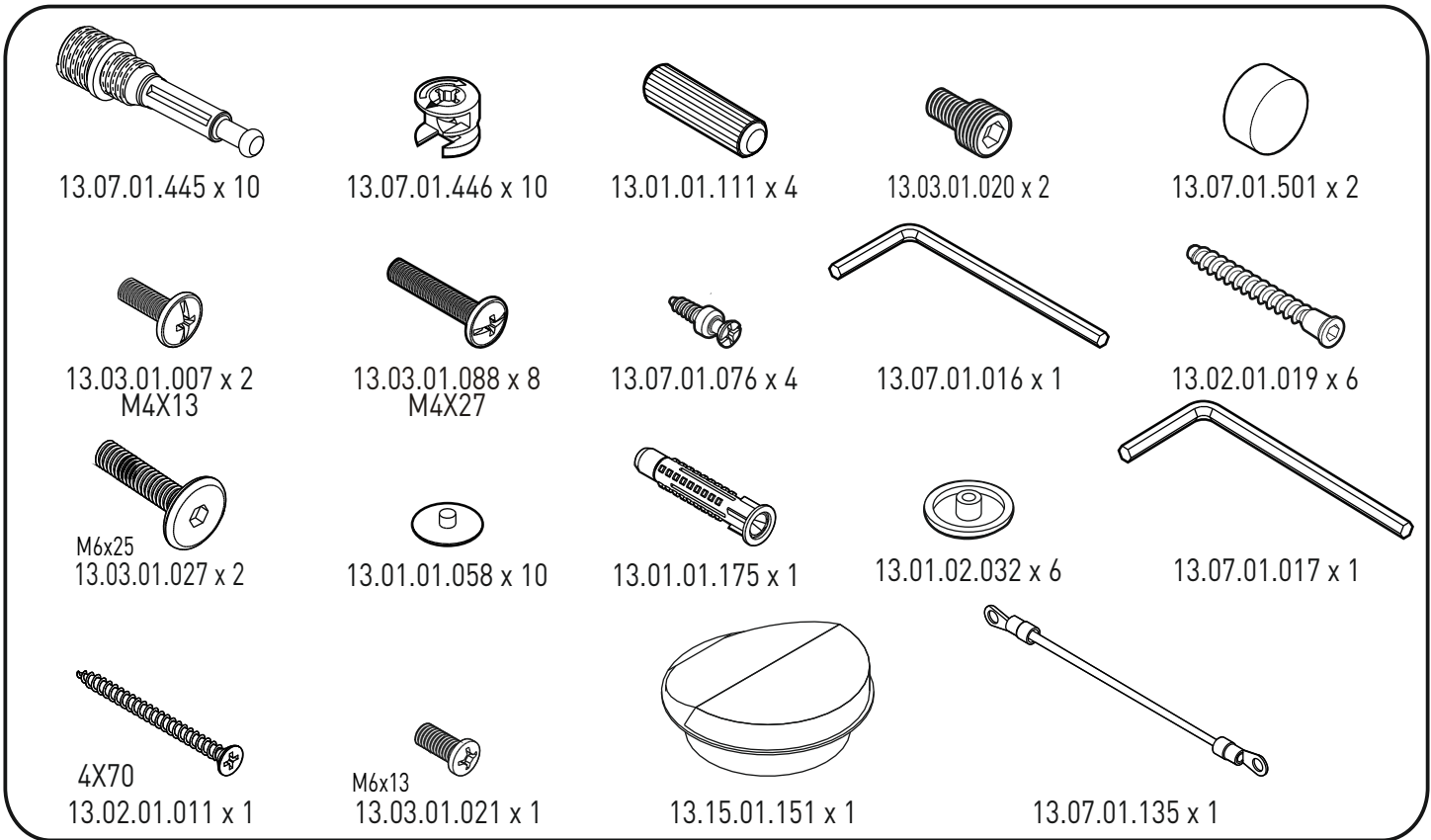
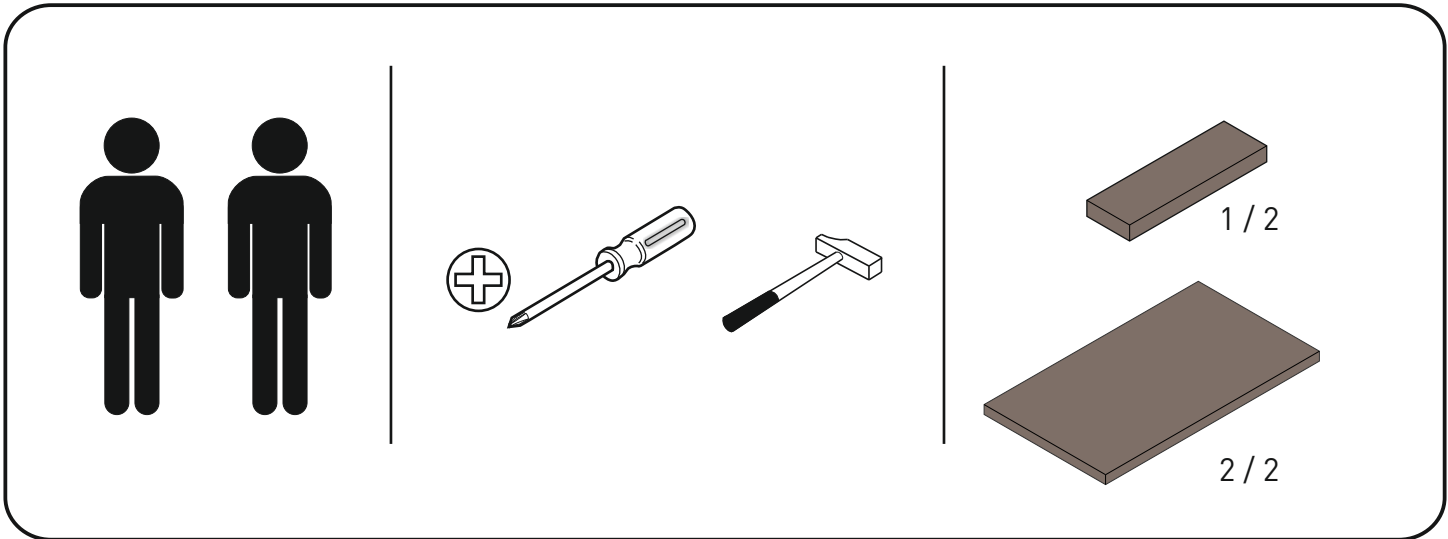
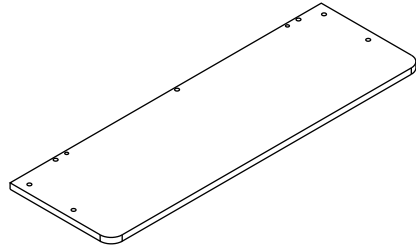


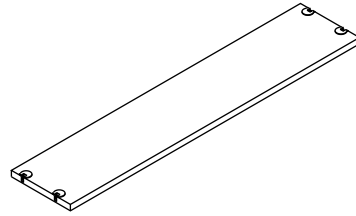
20.58.1102.00



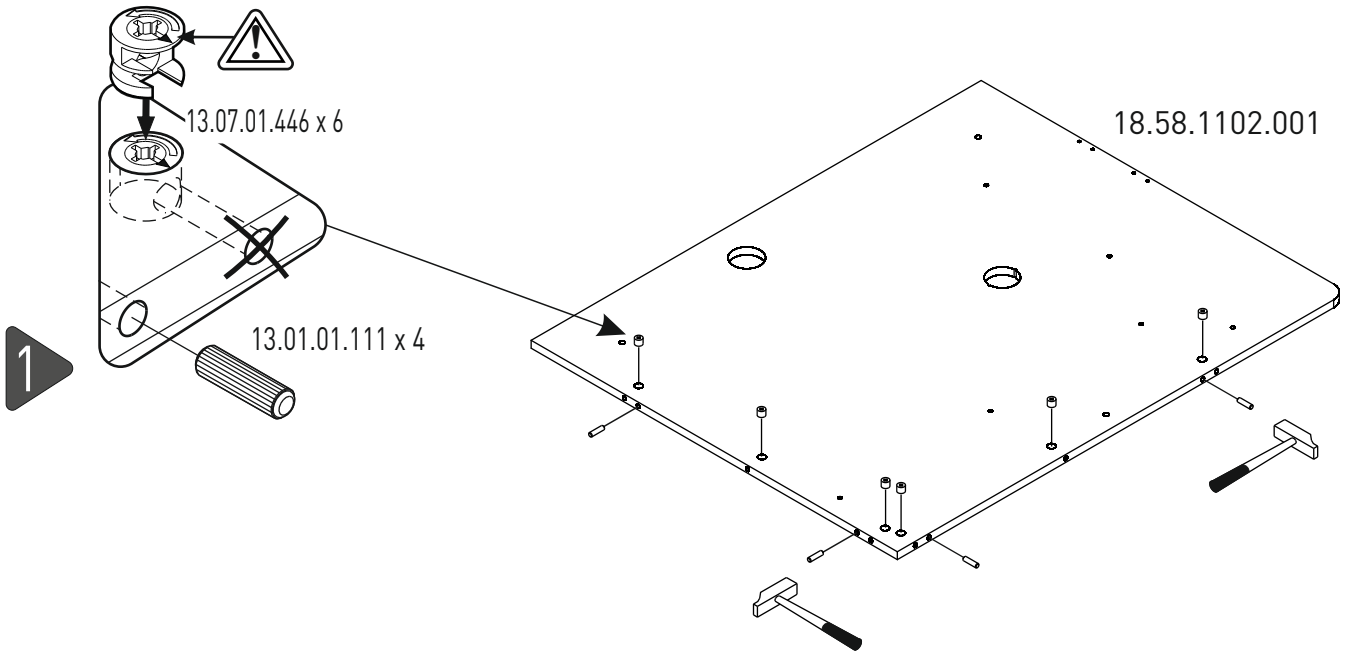




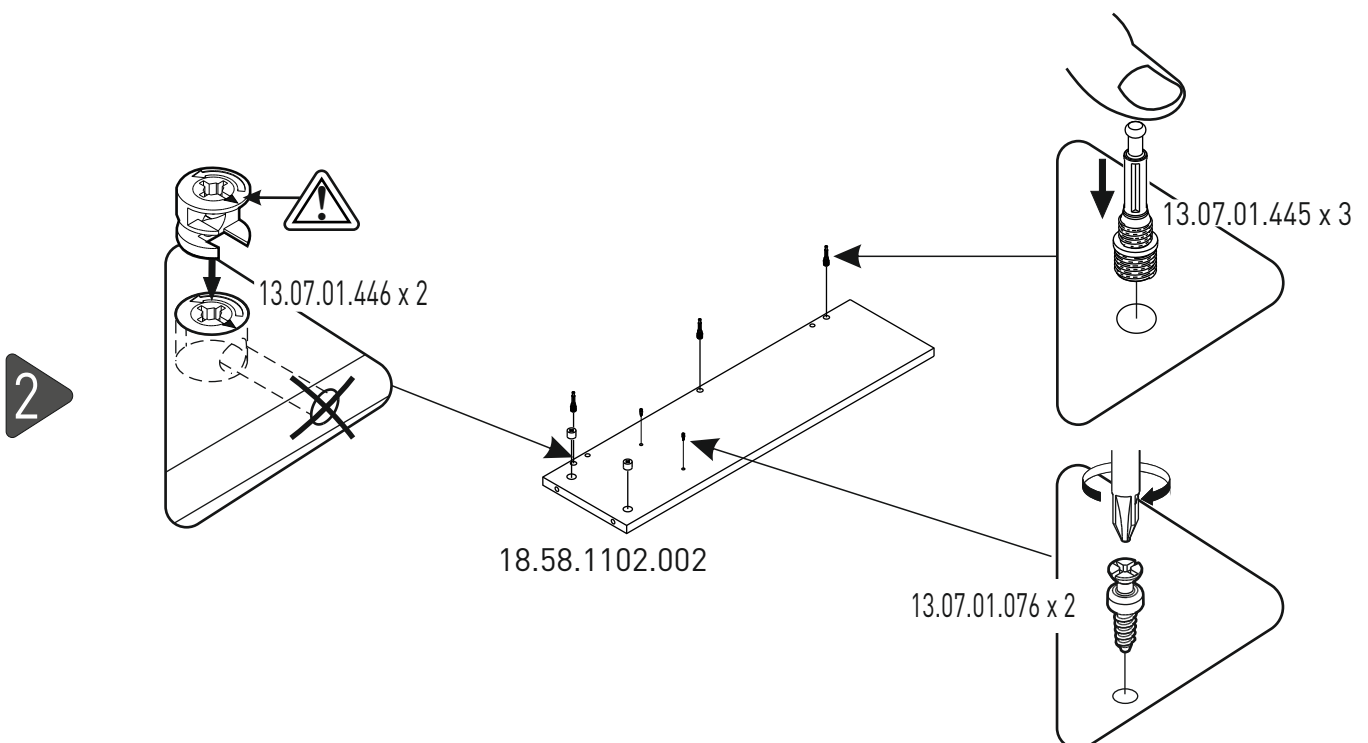
18.58.1102.004 x 1



18.58.1102.005 x 1

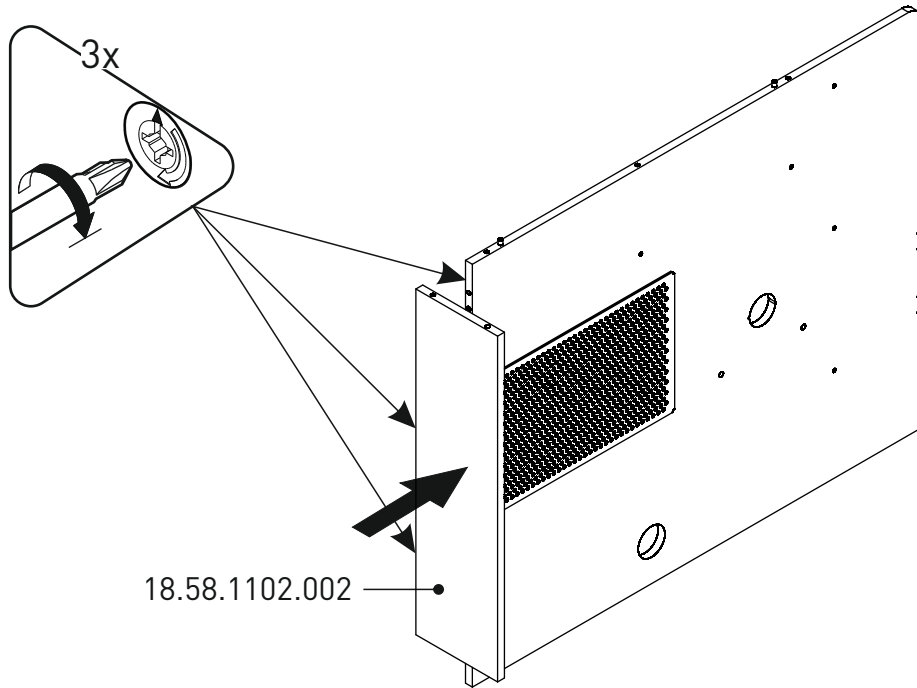


1

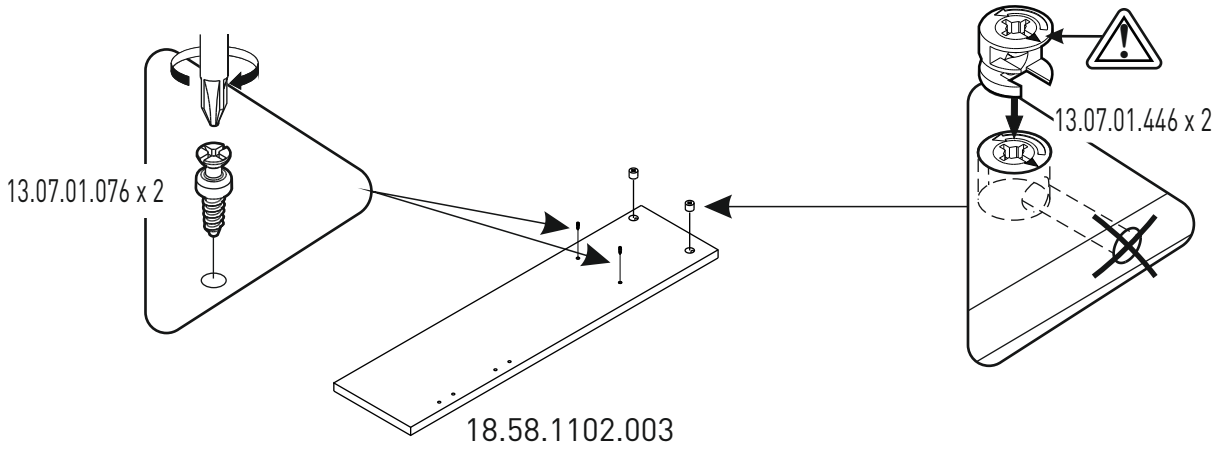


2

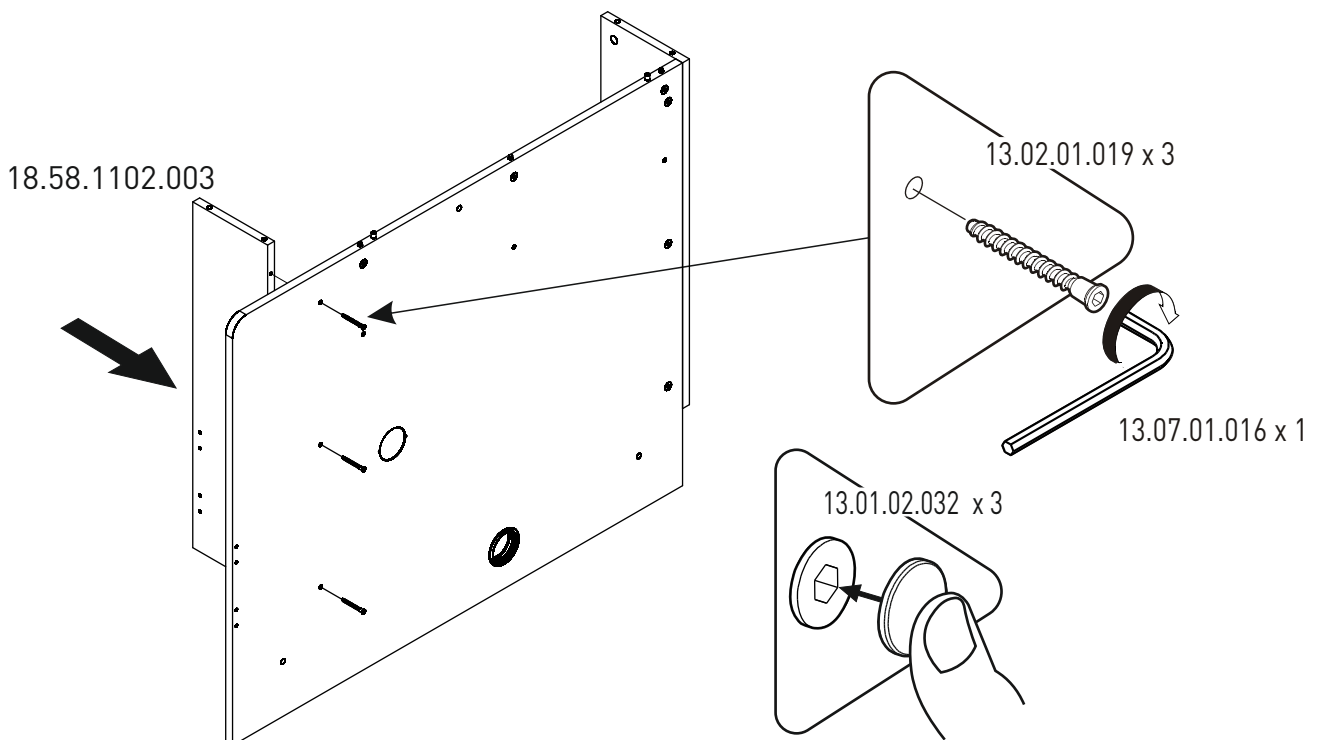
3



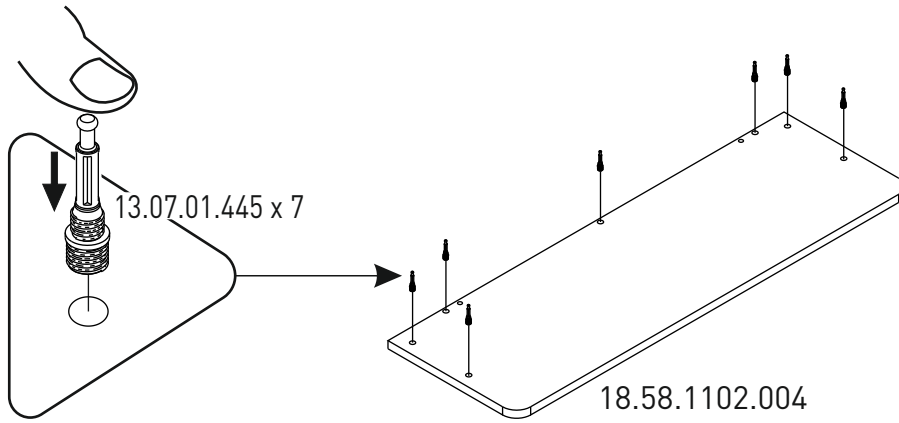
4



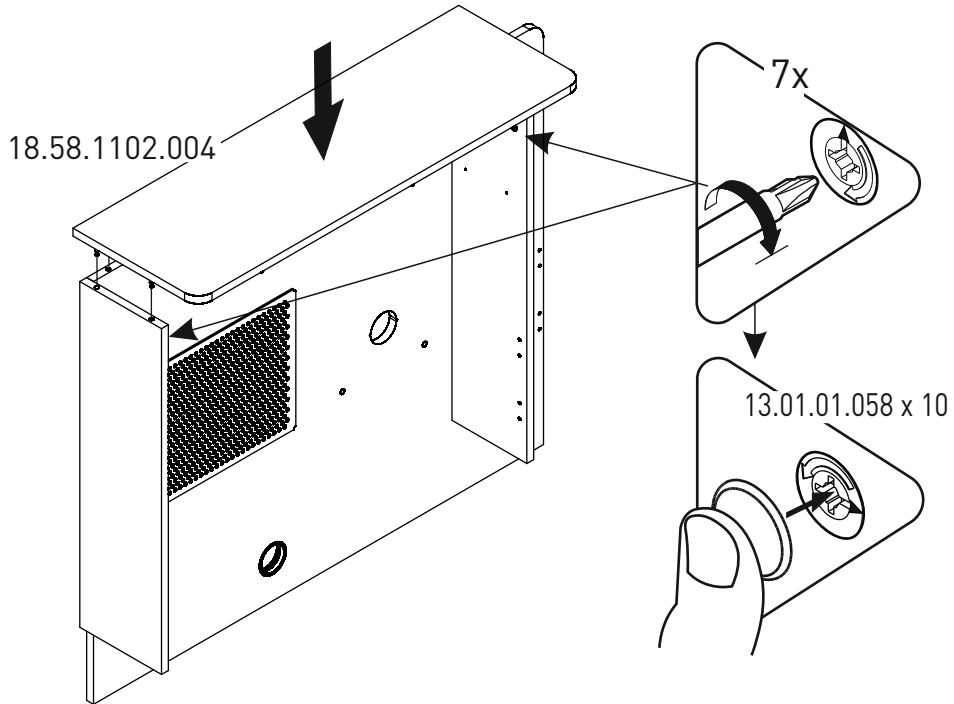
5



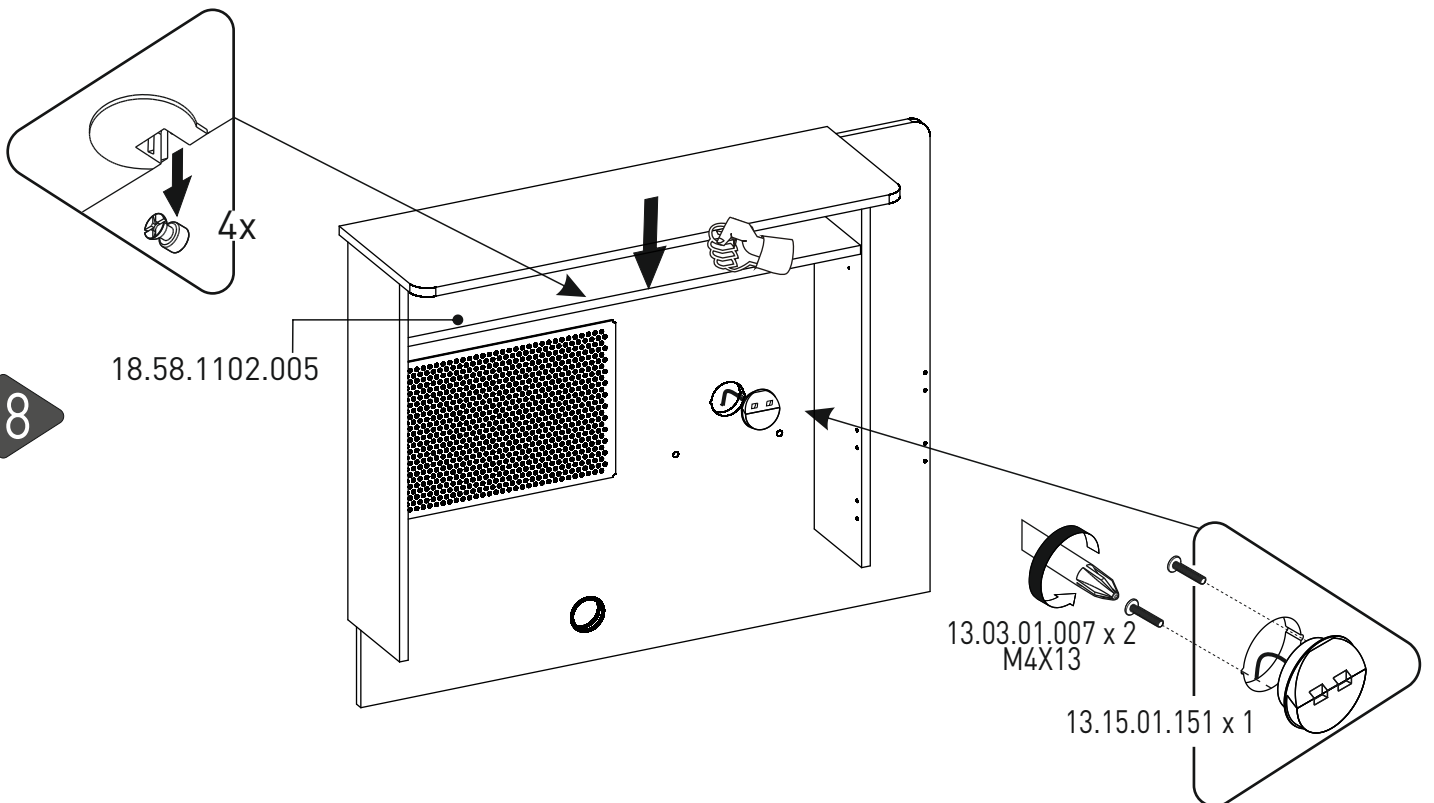
6



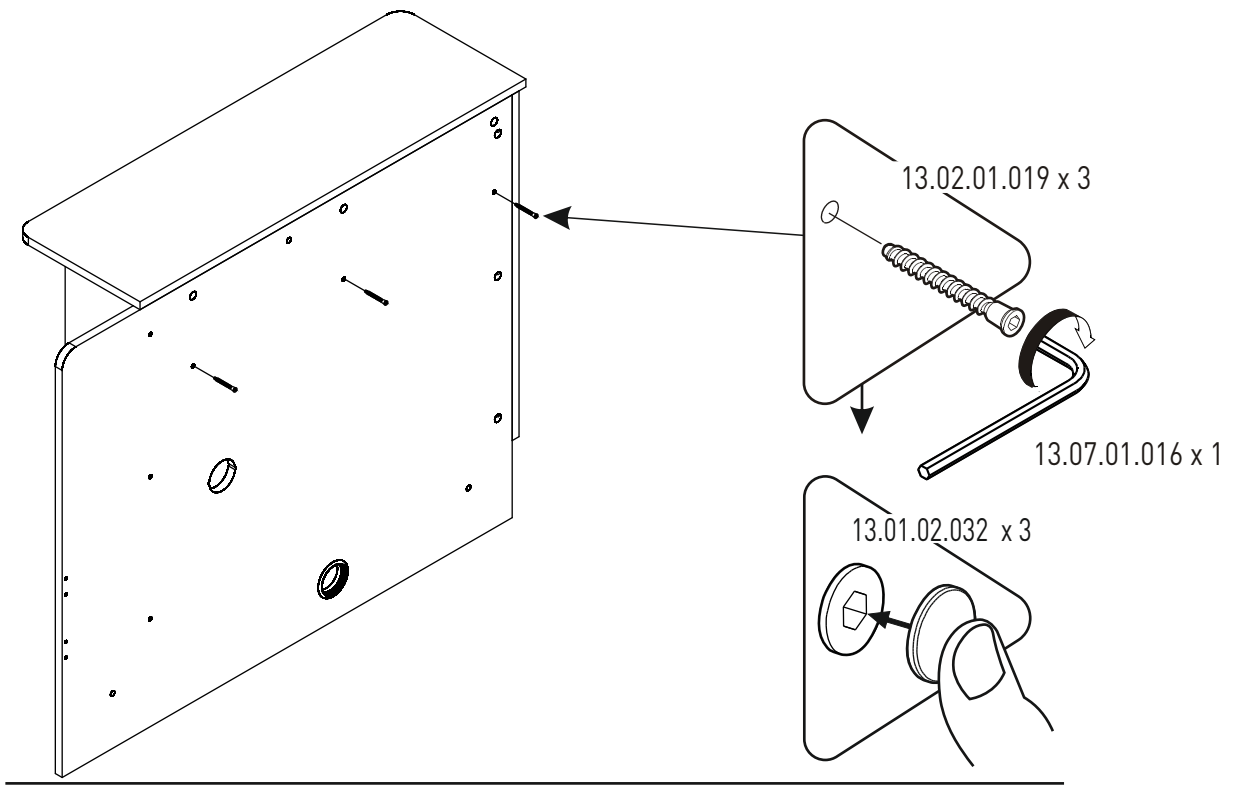
7



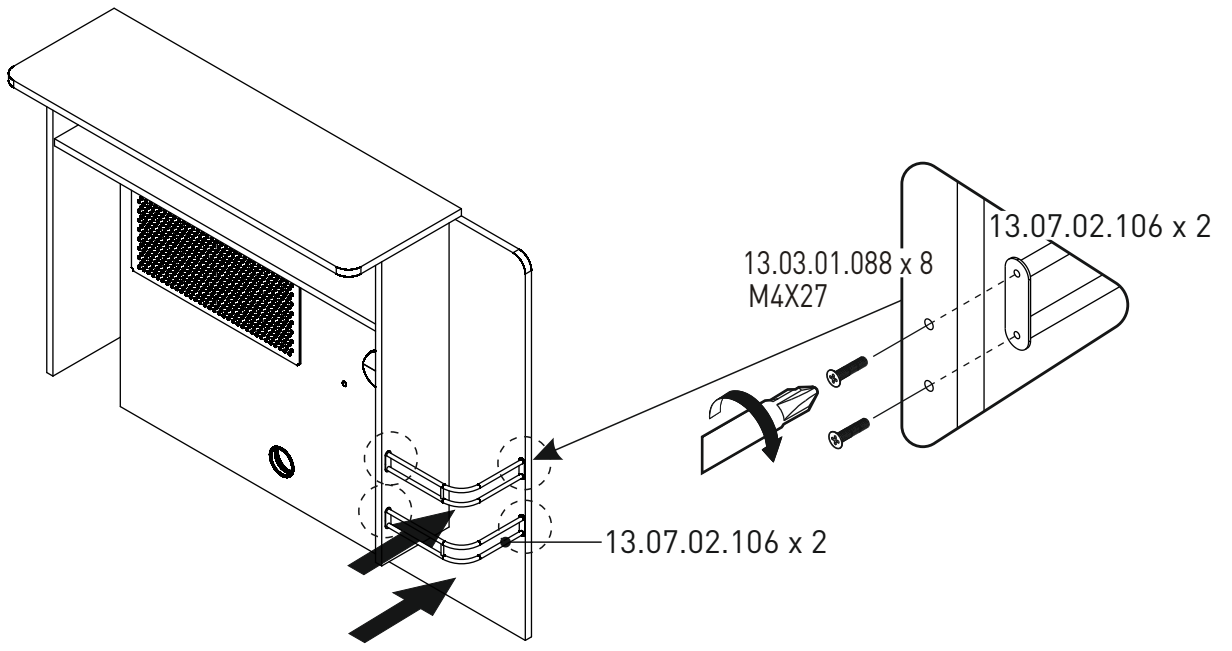
8



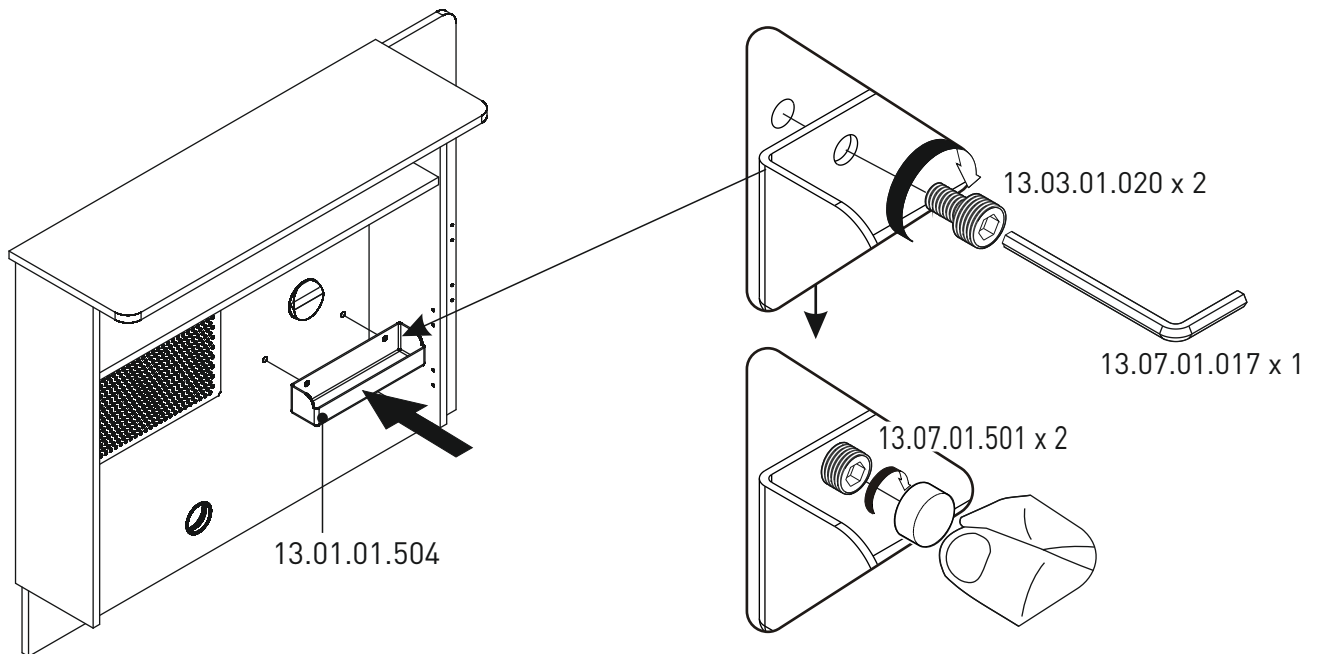
9



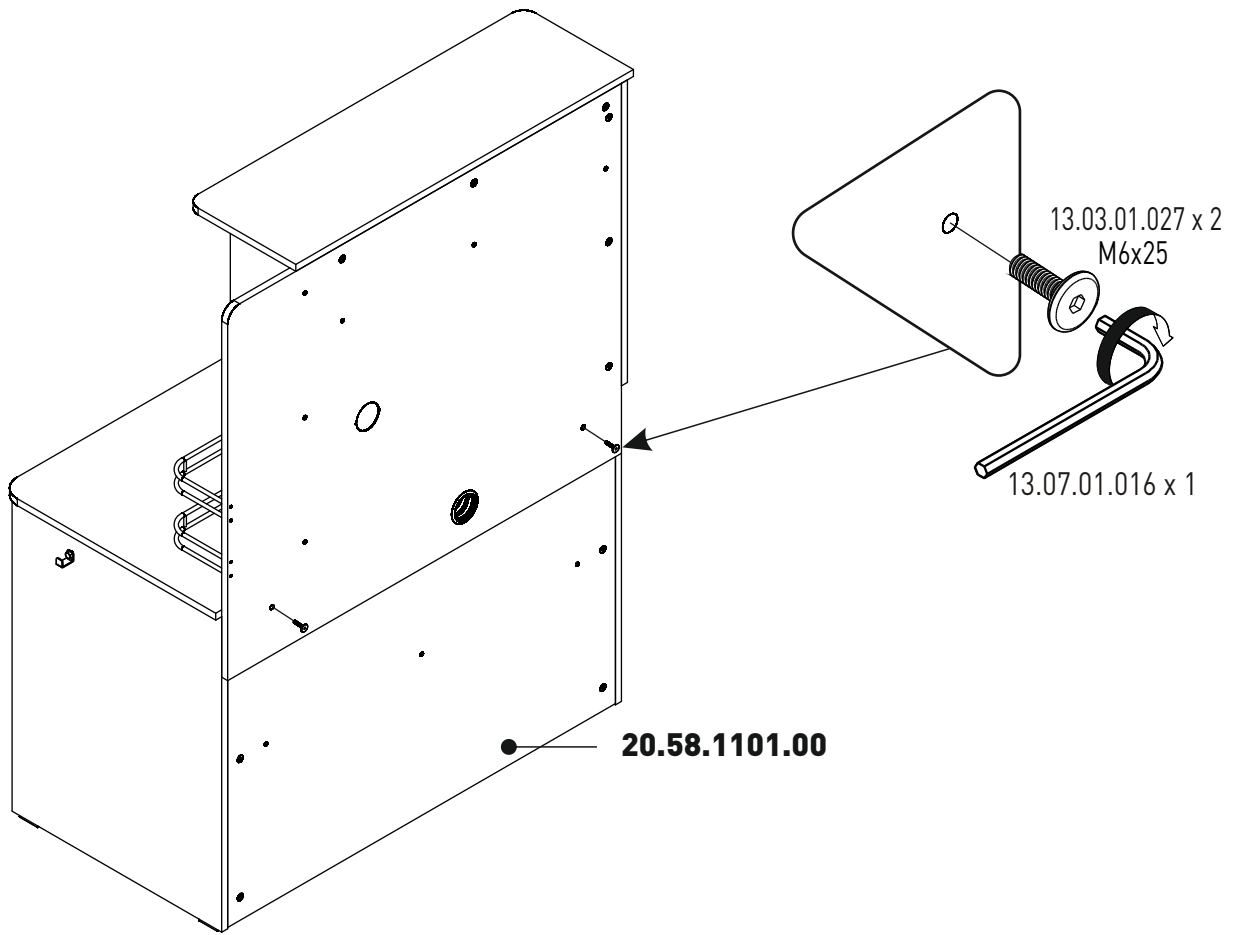
10



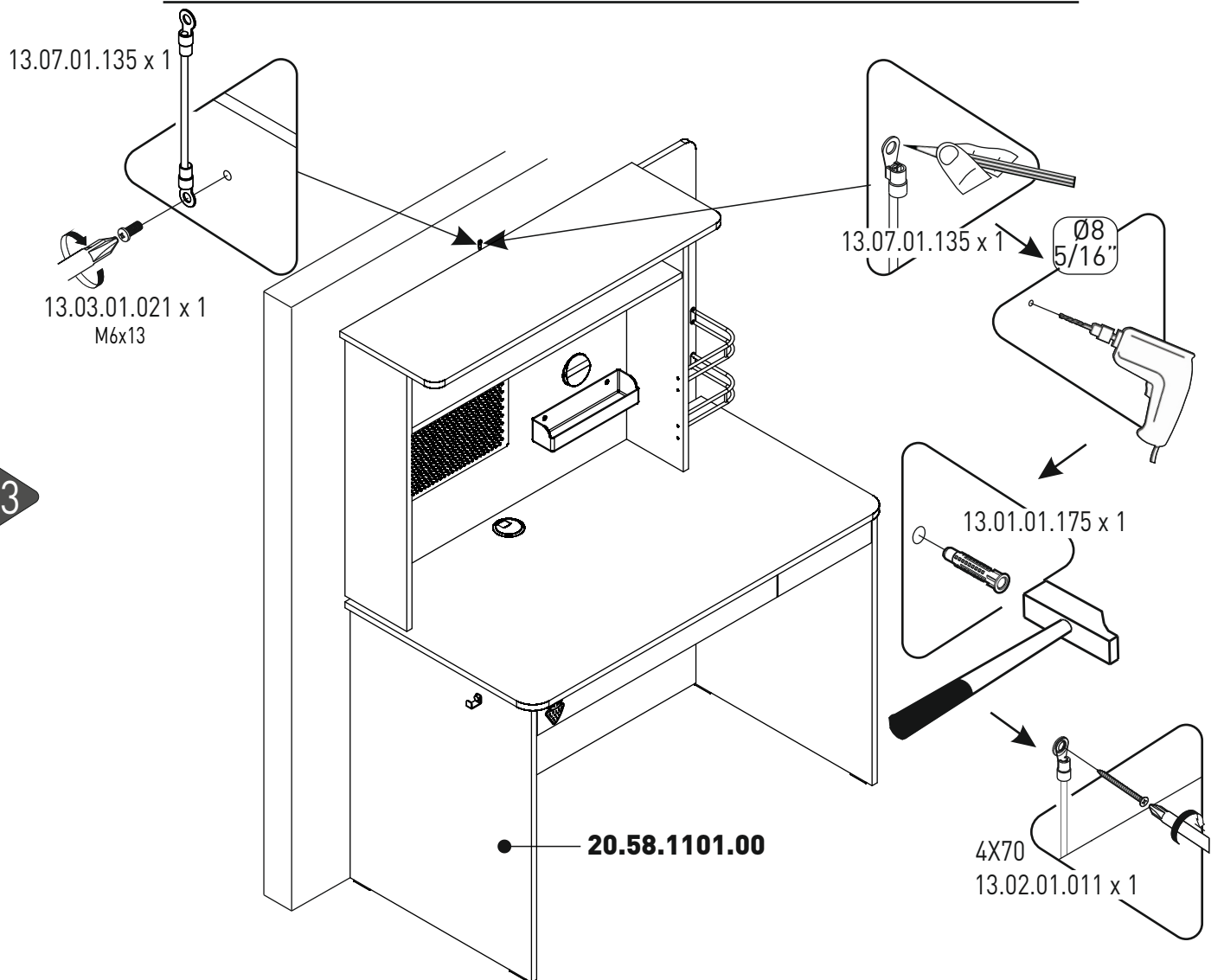
11

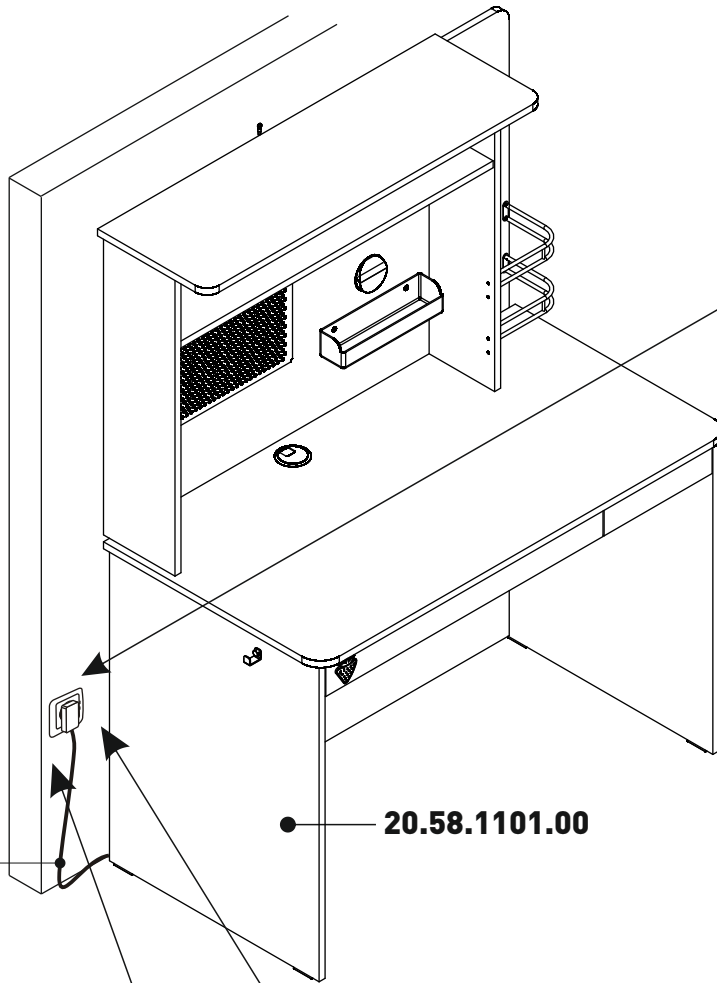


12



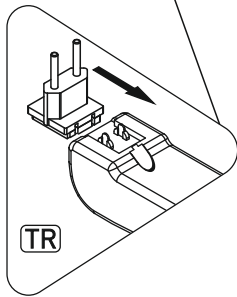
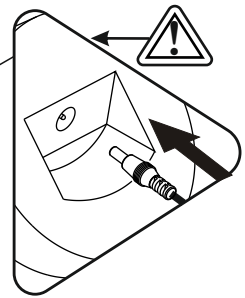
13





13.15.01.175 x 1

20.58.1101.00



13.15.01.175

