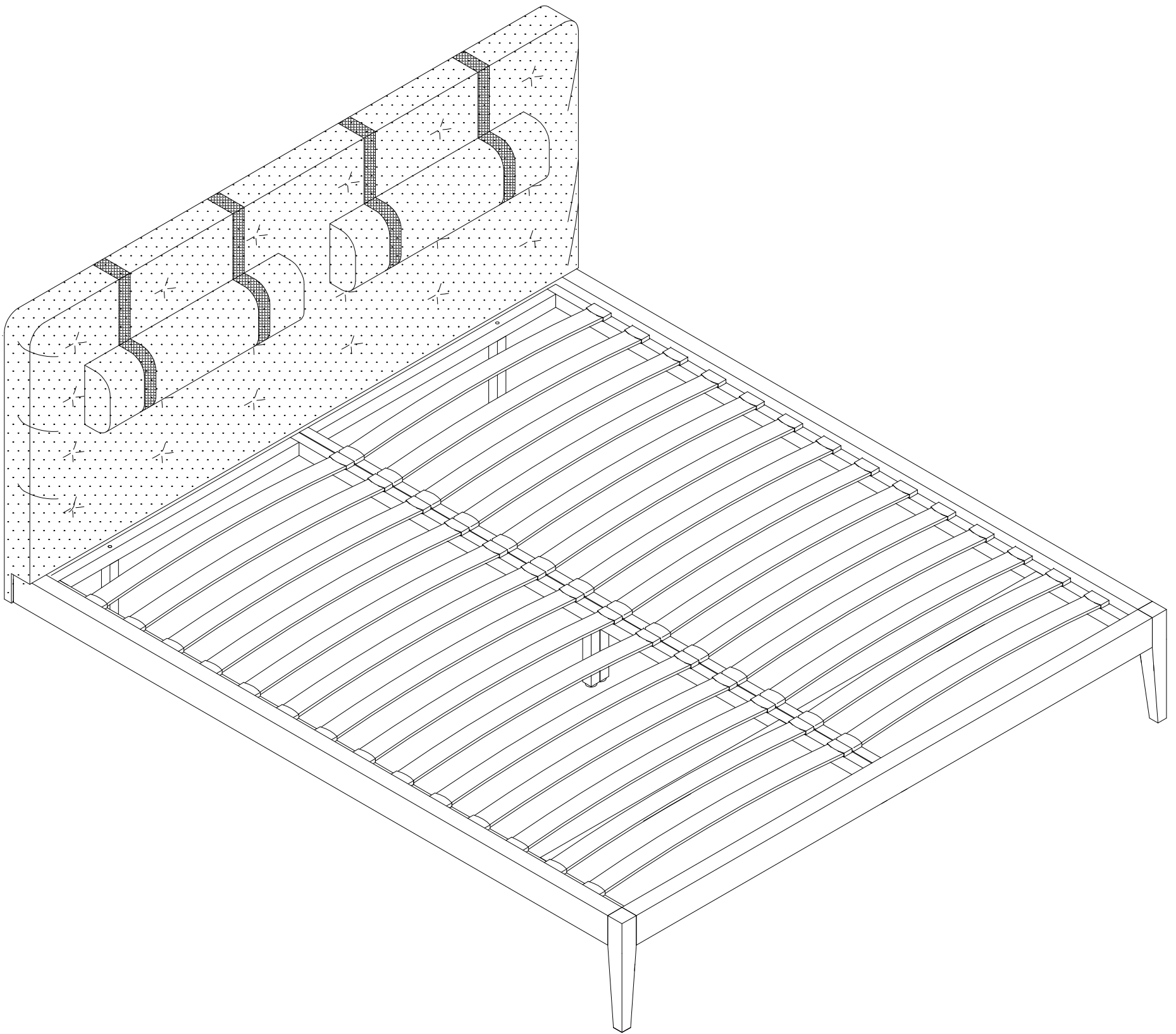
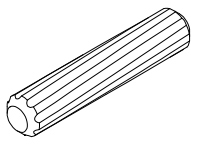
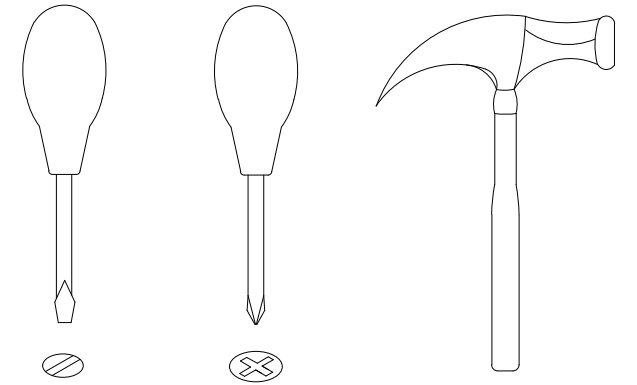
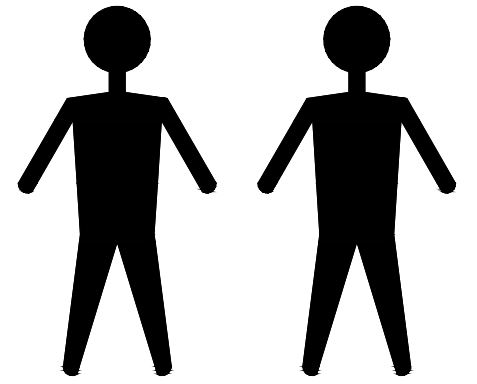


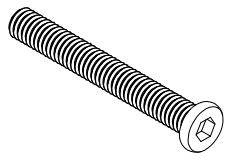
MDI. BD. MRB. 2



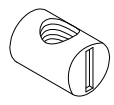
# MDI. BD. MRB. 2



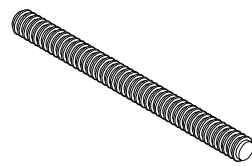
A x12  
Spec:  $\phi 10 * L40$



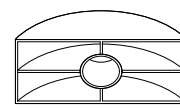
B x4  
Spec:  $5/16 * L55$



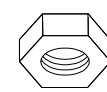
C x4  
Spec:  $5/16 * H18$



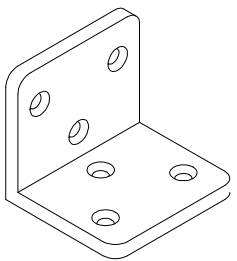
D x2  
Spec:  $M8 * L95$



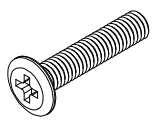
E x2  
Spec:



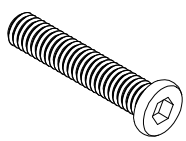
F x2  
Spec: M8



G x2  
Spec:  $50 * 45 * 45$



H x16  
Spec:  $M6 * L45$



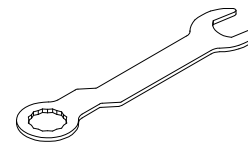
I x4  
Spec:  $5/16 * L60$



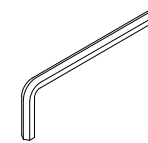
J x4  
Spec:  $\phi 8 * \phi 14$



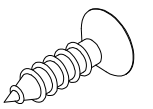
K x20  
Spec:  $\phi 8 * \phi 18$



L x1  
Spec: 14#



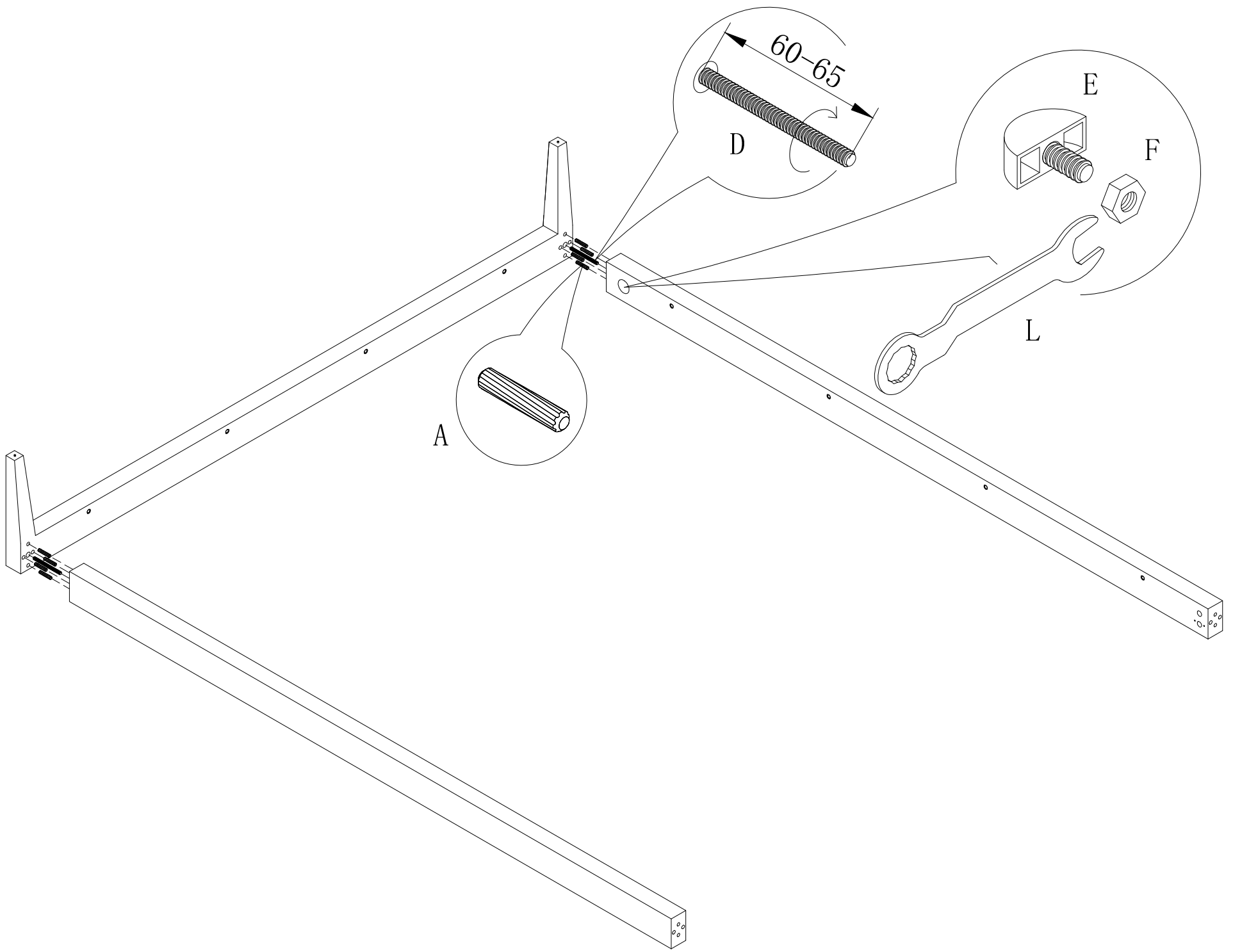
M x1  
Spec: 5#



N x12  
Spec:  $3.8 * L16$

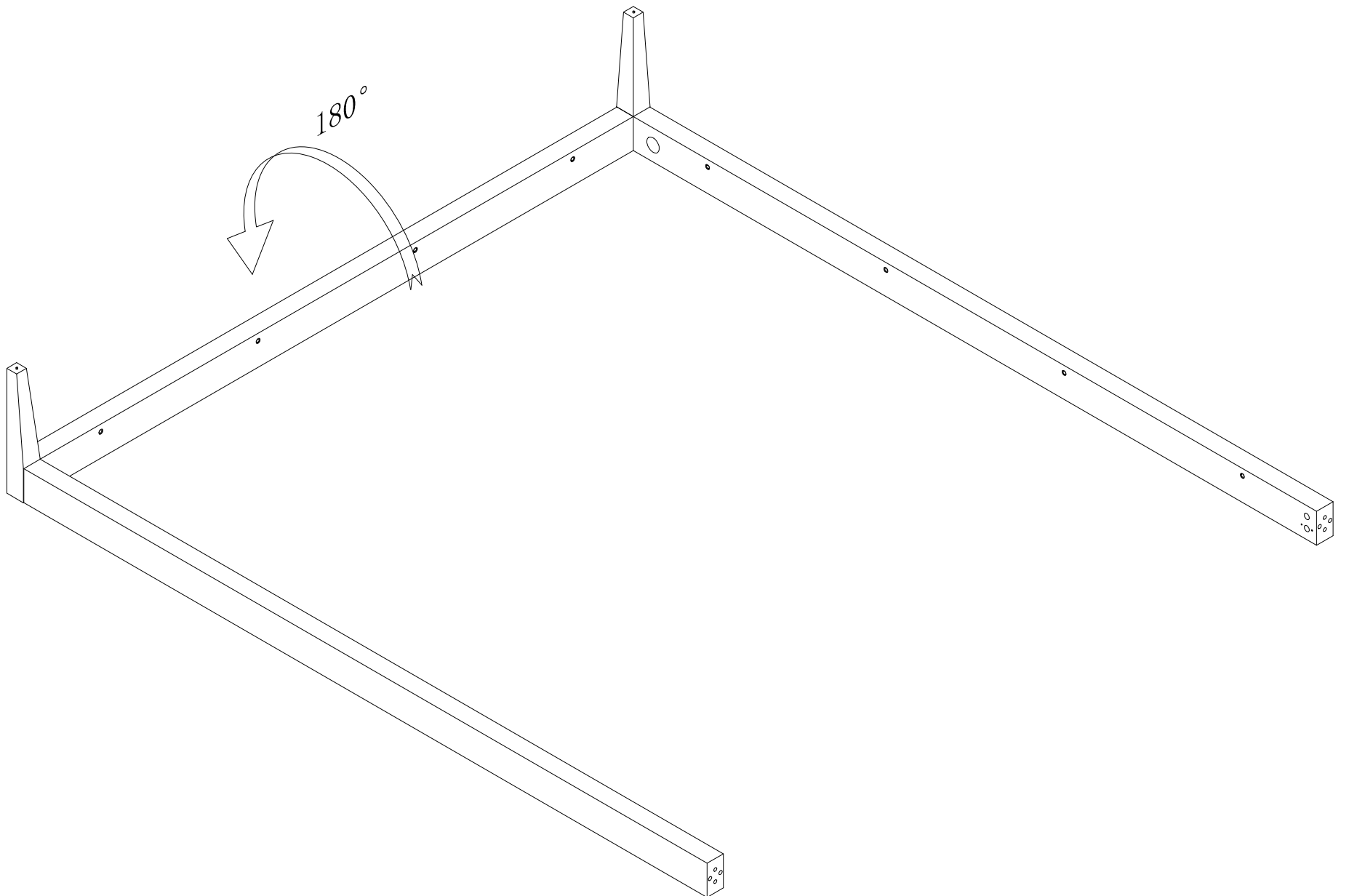


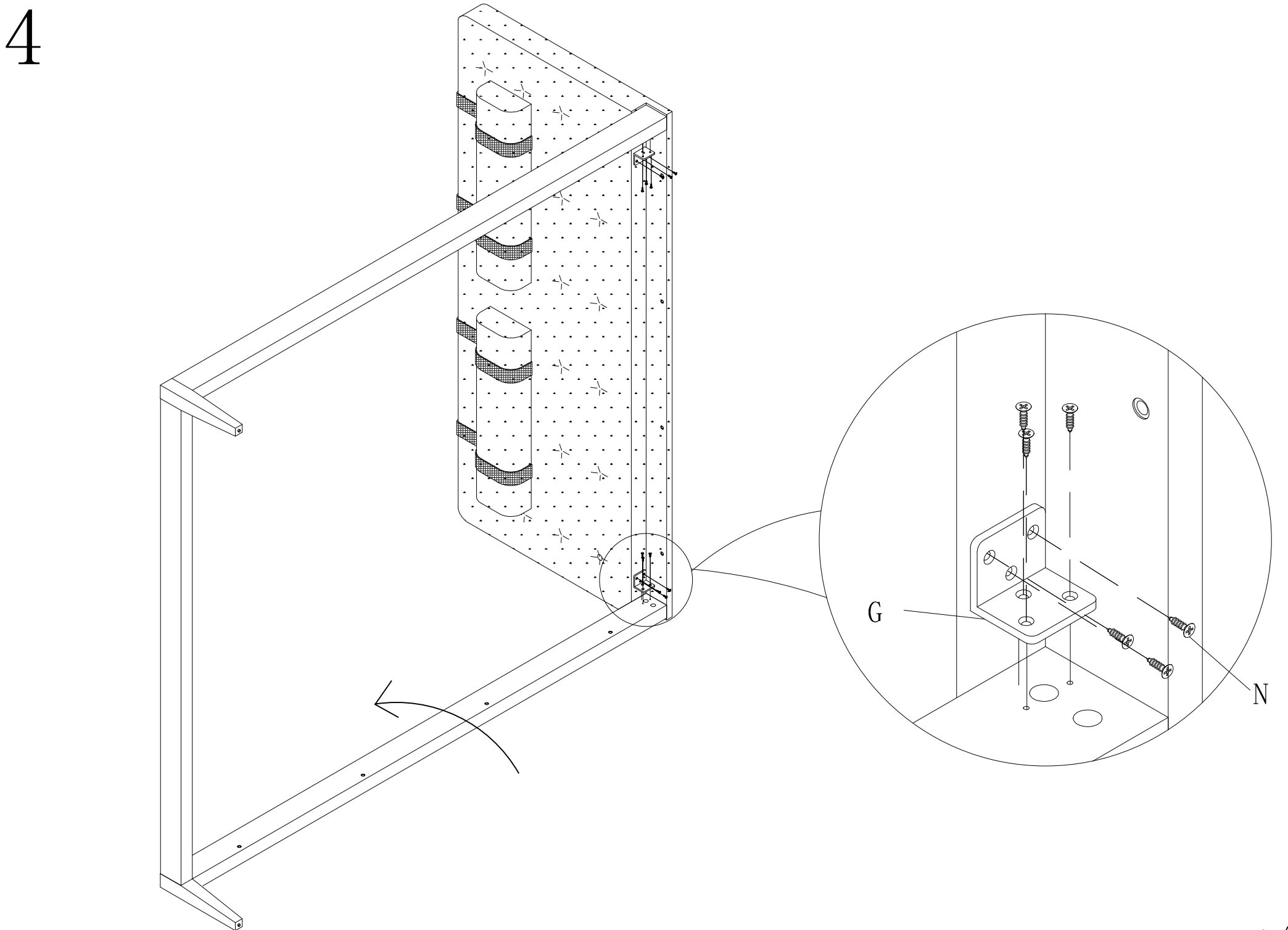
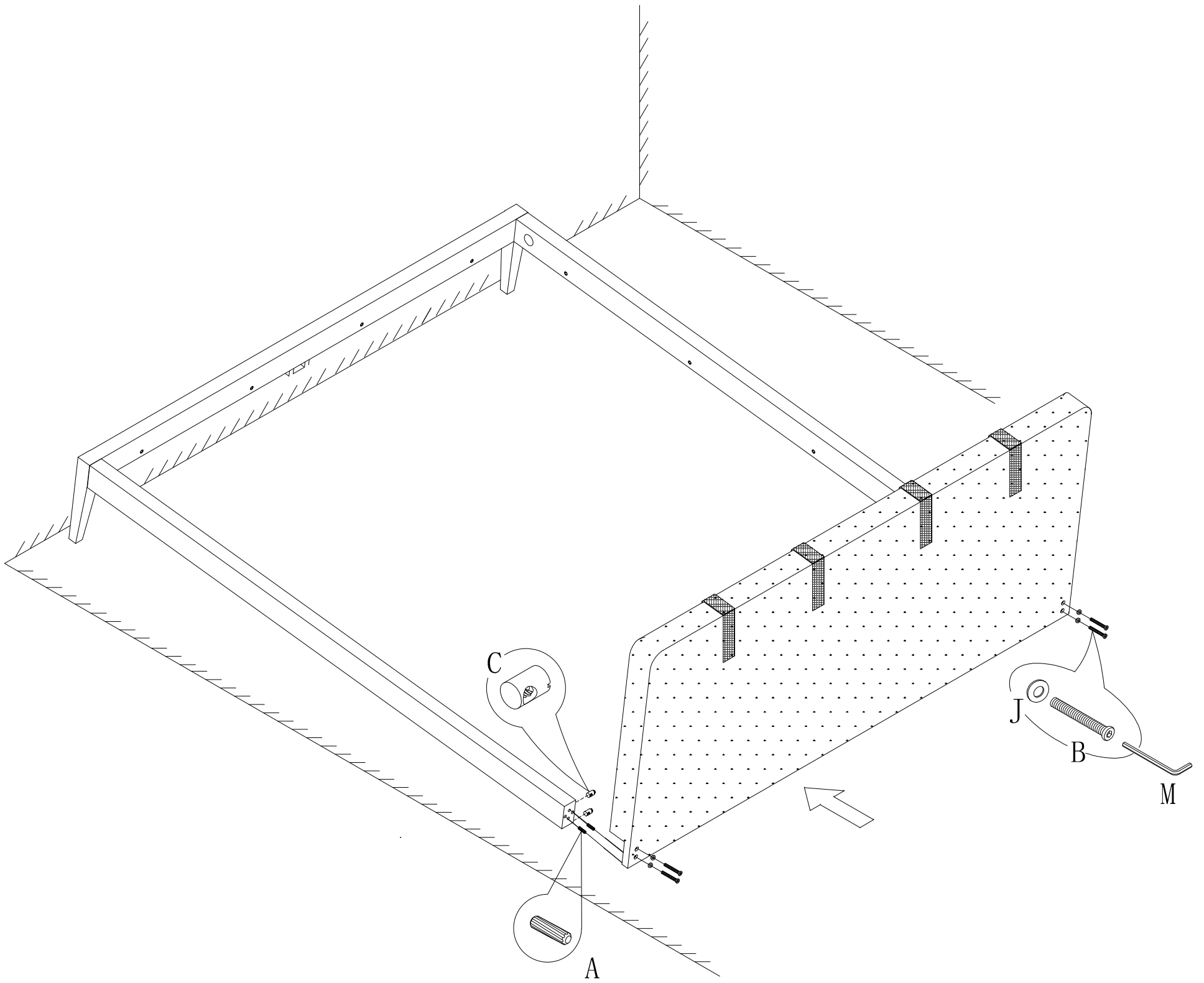
O x4  
Spec: L240



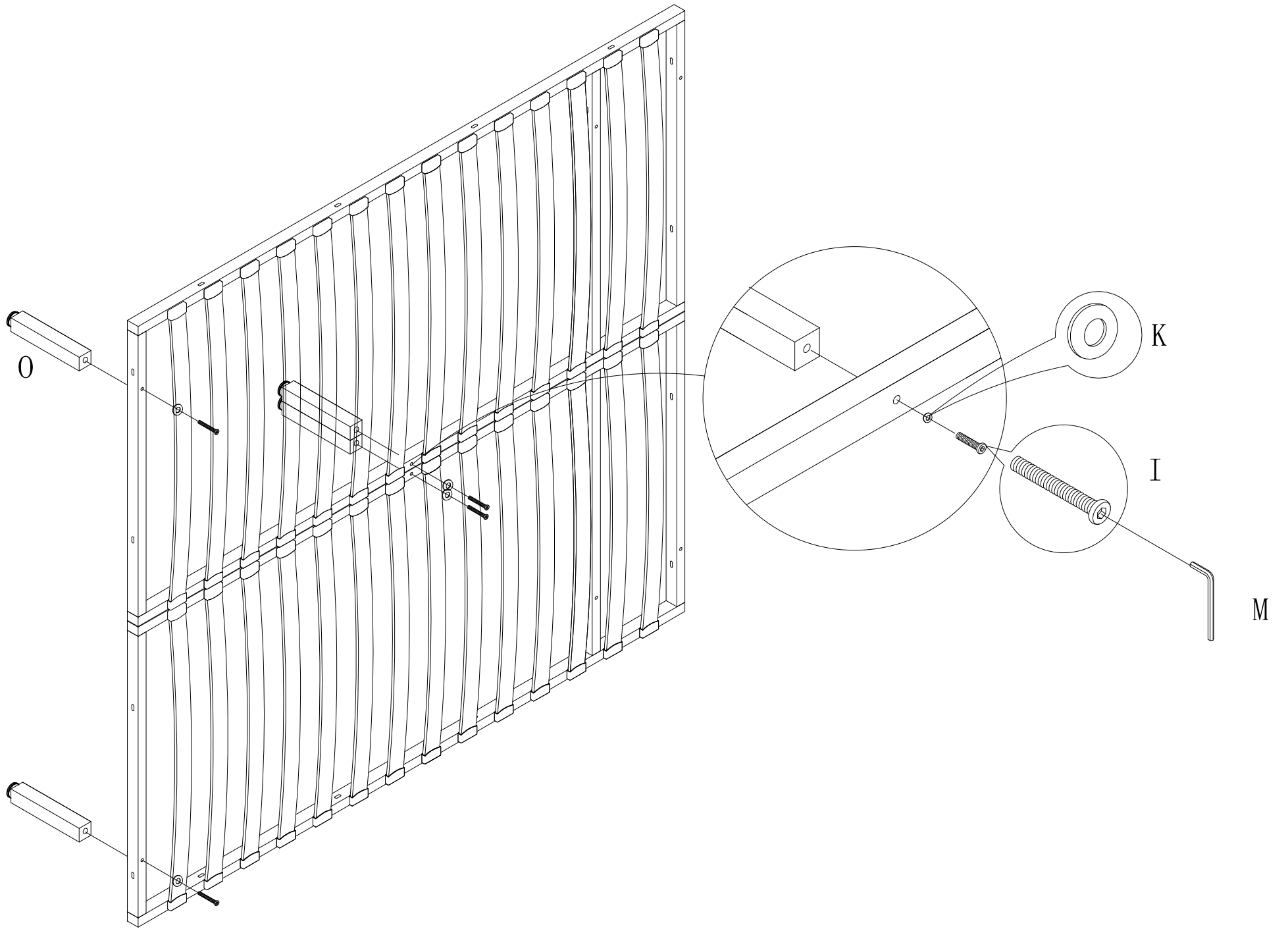
1

2





5



6

