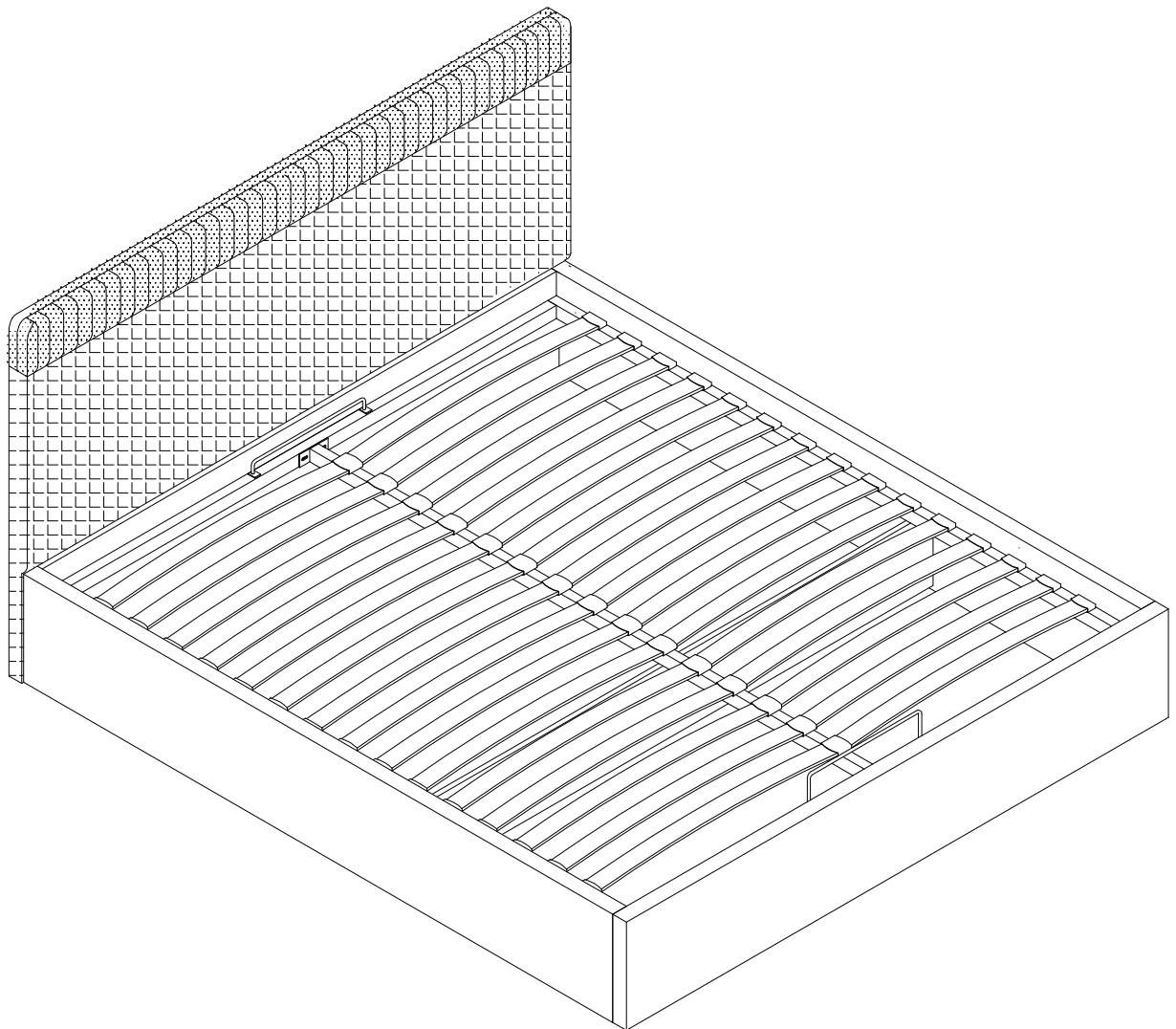
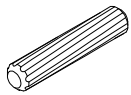
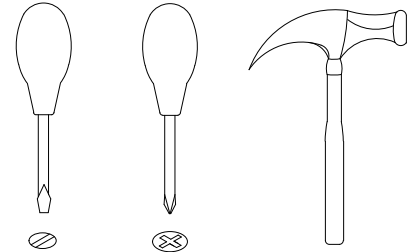
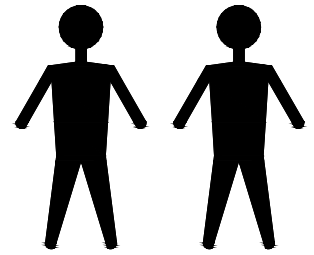


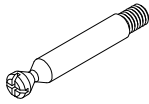
MDI. BD. MN. 1



# MDI. BD. MN. 1



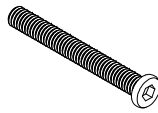
A x8  
Spec:  $\phi 10 * L40$



B x12  
Spec:  $\phi 7 * L48$



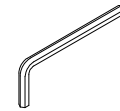
C x12  
Spec:  $\phi 15 * H15$



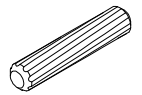
D x4  
Spec:  $5/16 * L75$



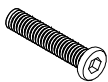
E x4  
Spec:  $5/16 * H18$



F x1  
Spec: 5#



G x8  
Spec:  $\phi 8 * L30$



H x8  
Spec:  $M8 * L45$



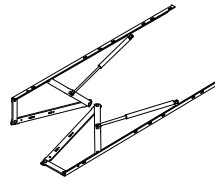
I x12  
Spec:  $M6 * L30$



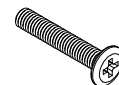
J x16  
Spec:  $\phi 8 * \phi 14$



K x8  
Spec:  $\phi 8 * \phi 18$



L x1  
Spec:  $L1220\text{mm}$   
(120KG)



M x6  
Spec:  $M6 * L50$



N x10  
Spec: M6



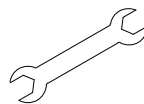
O x8  
Spec:  $M6 * L50$



P x4  
Spec: M6



Q x4  
Spec:  $\phi 6 * \phi 18$



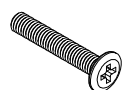
R x1  
Spec: 10mm



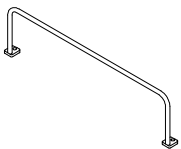
S x8  
Spec:  $30 * 30\text{mm}$



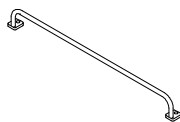
T x4  
Spec:  $75 * 13\text{mm}$



U x4  
Spec:  $M6 * L55$



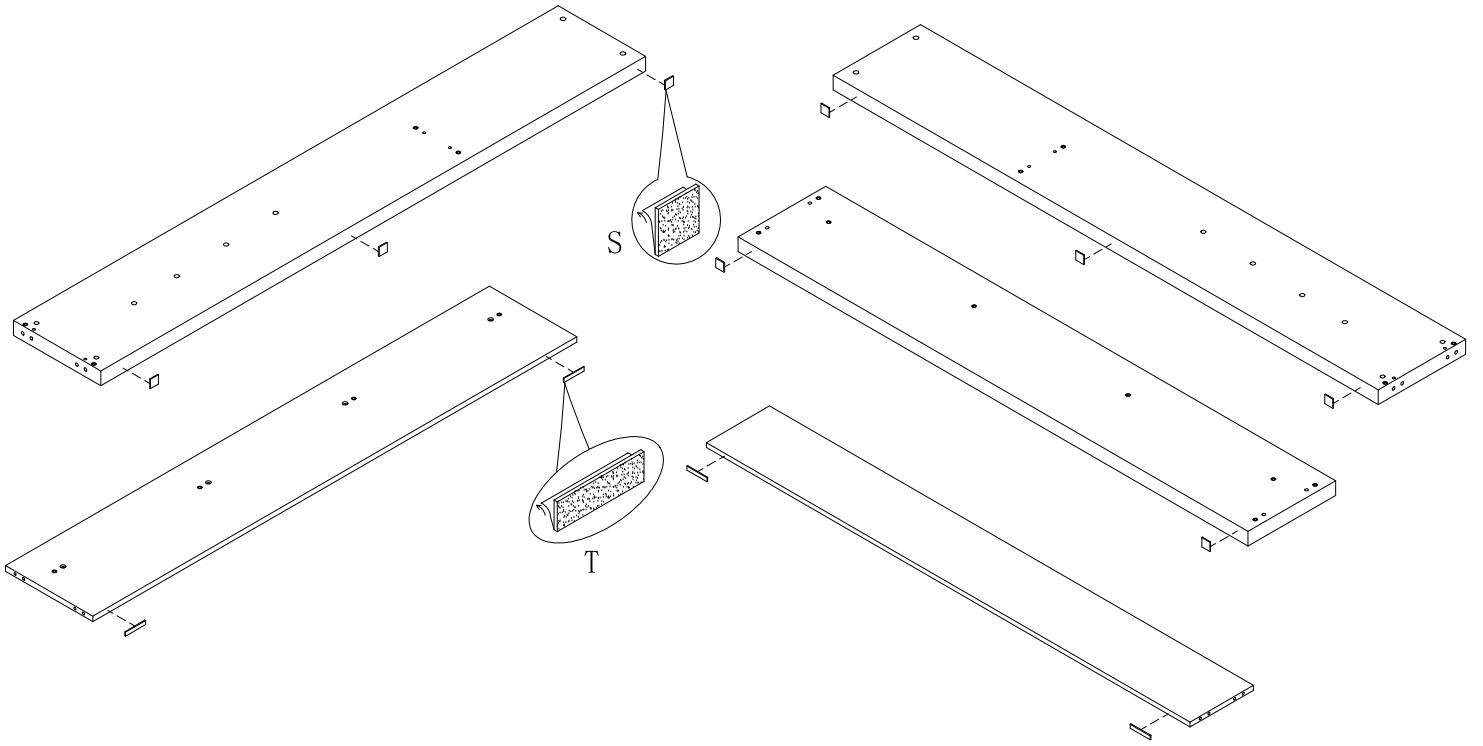
V x1  
Spec: L410mm



W x1  
Spec: L410mm

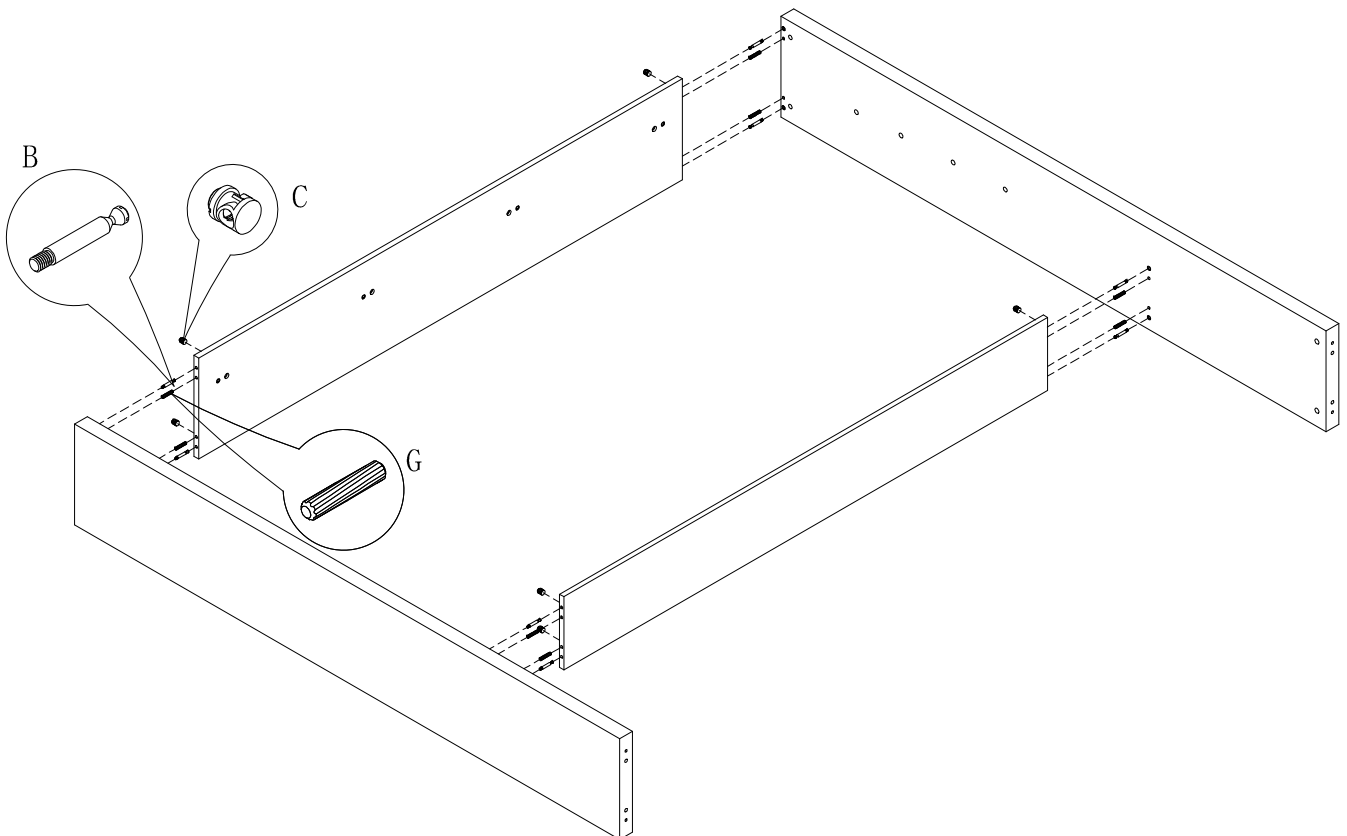


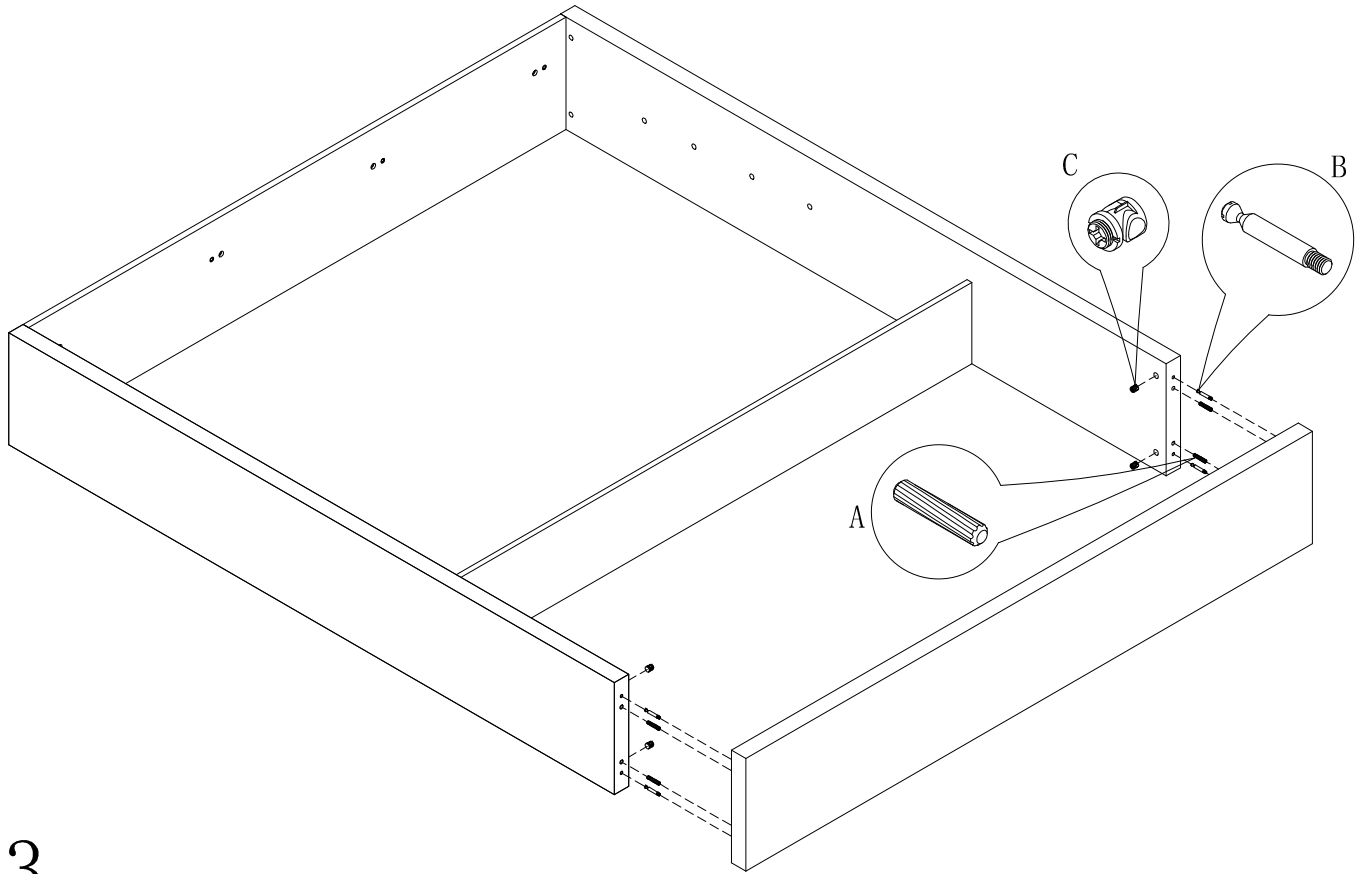
X x1  
Spec: 4#



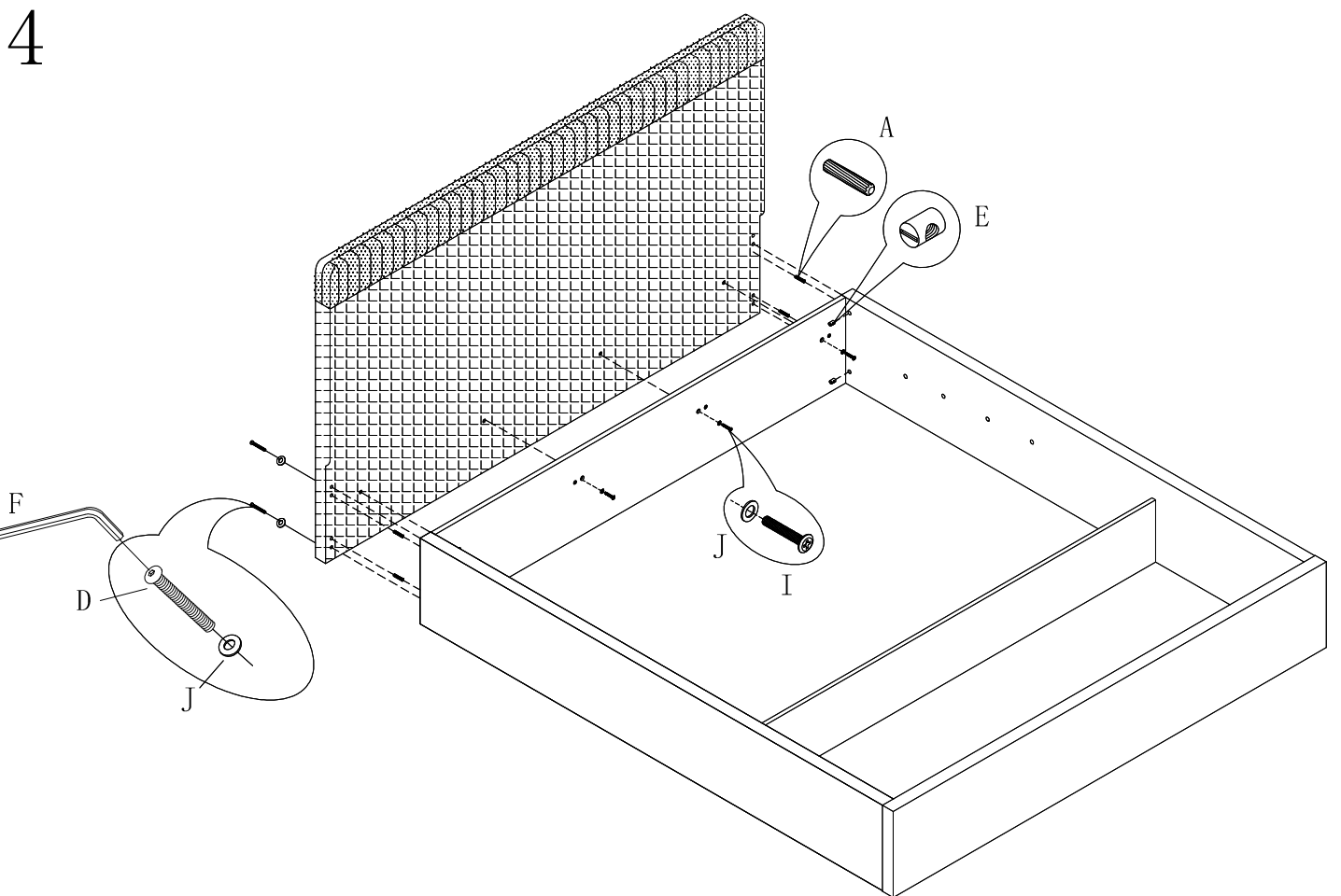
1

2

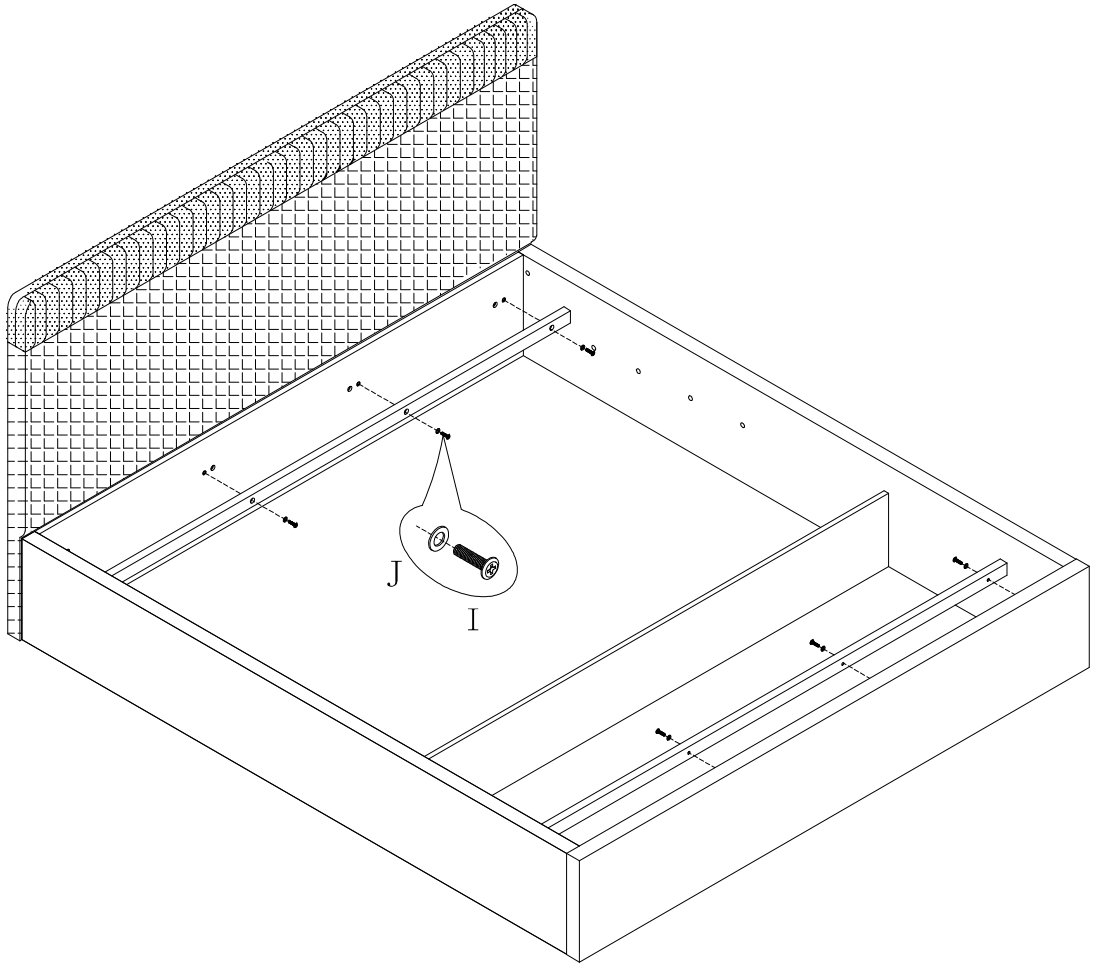




3

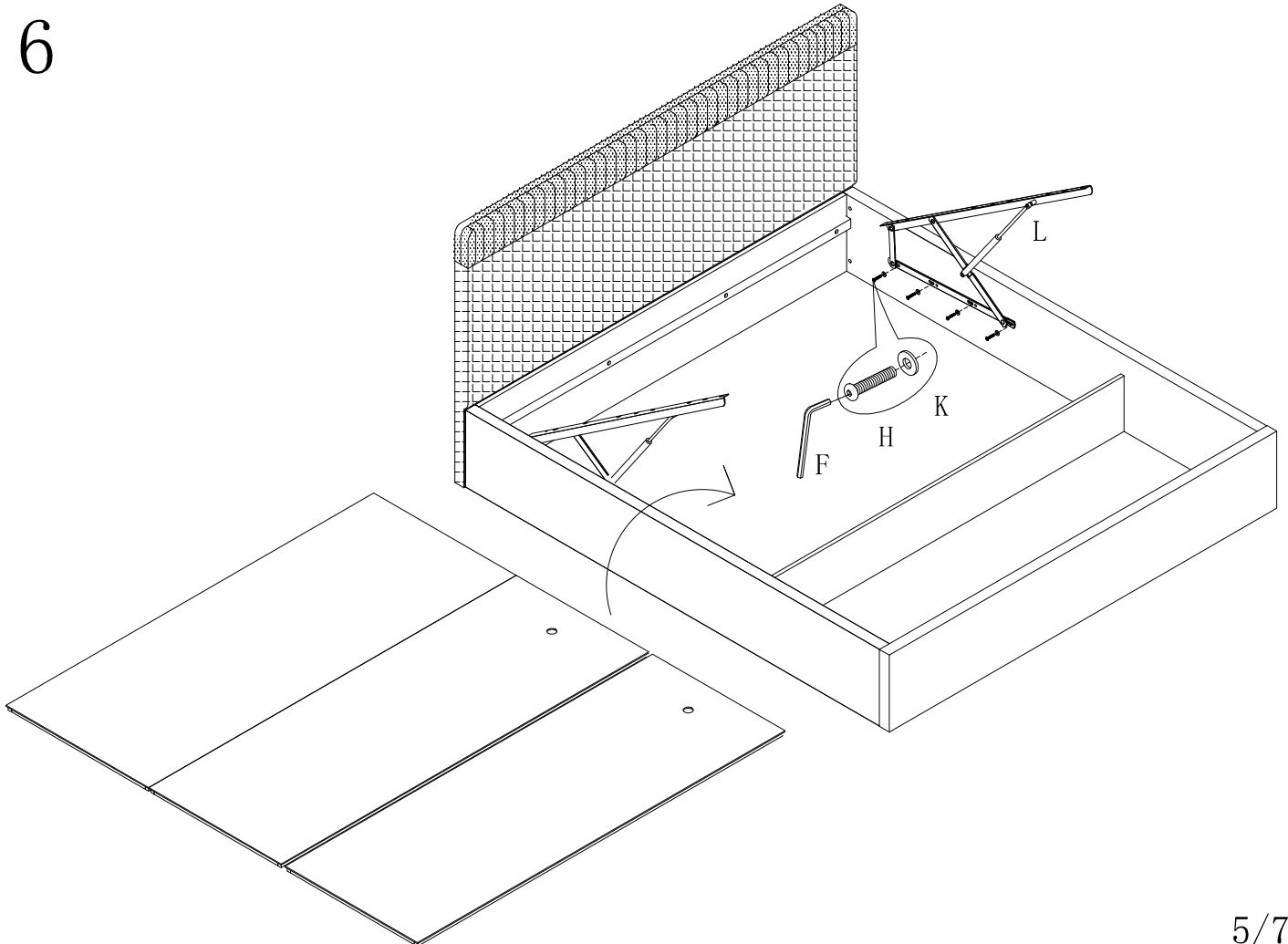


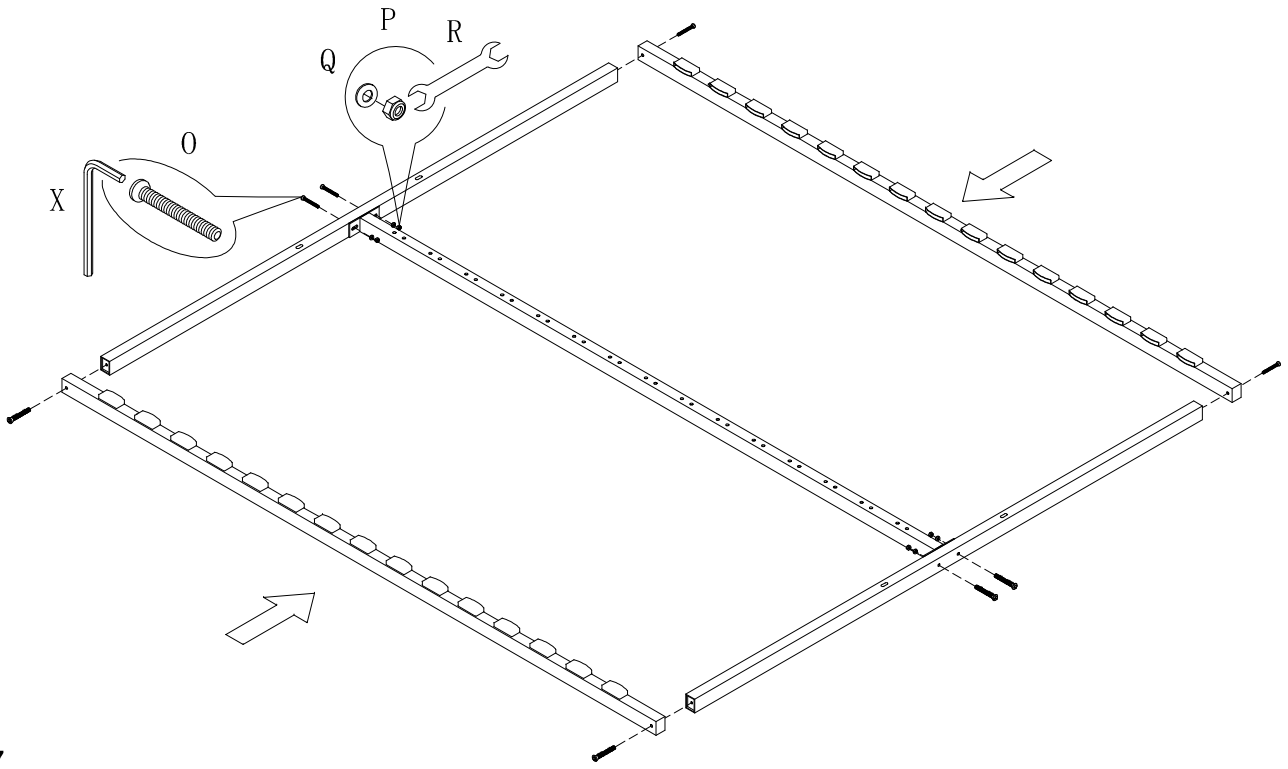
4



5

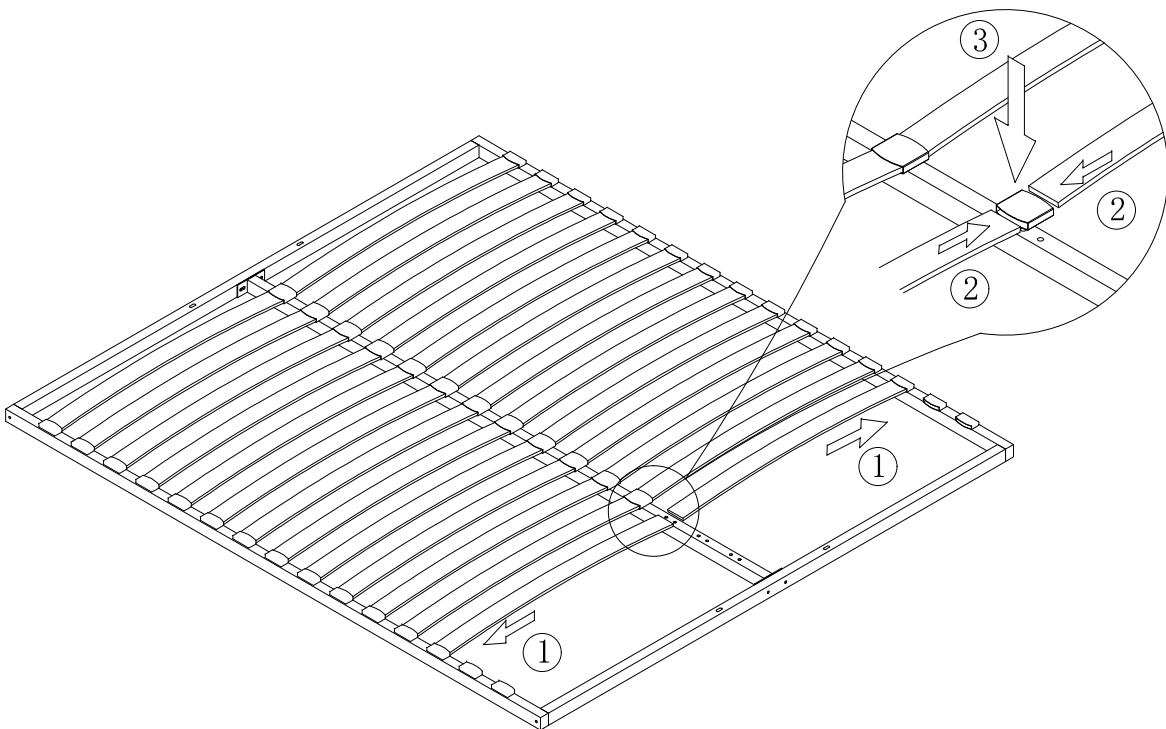
6

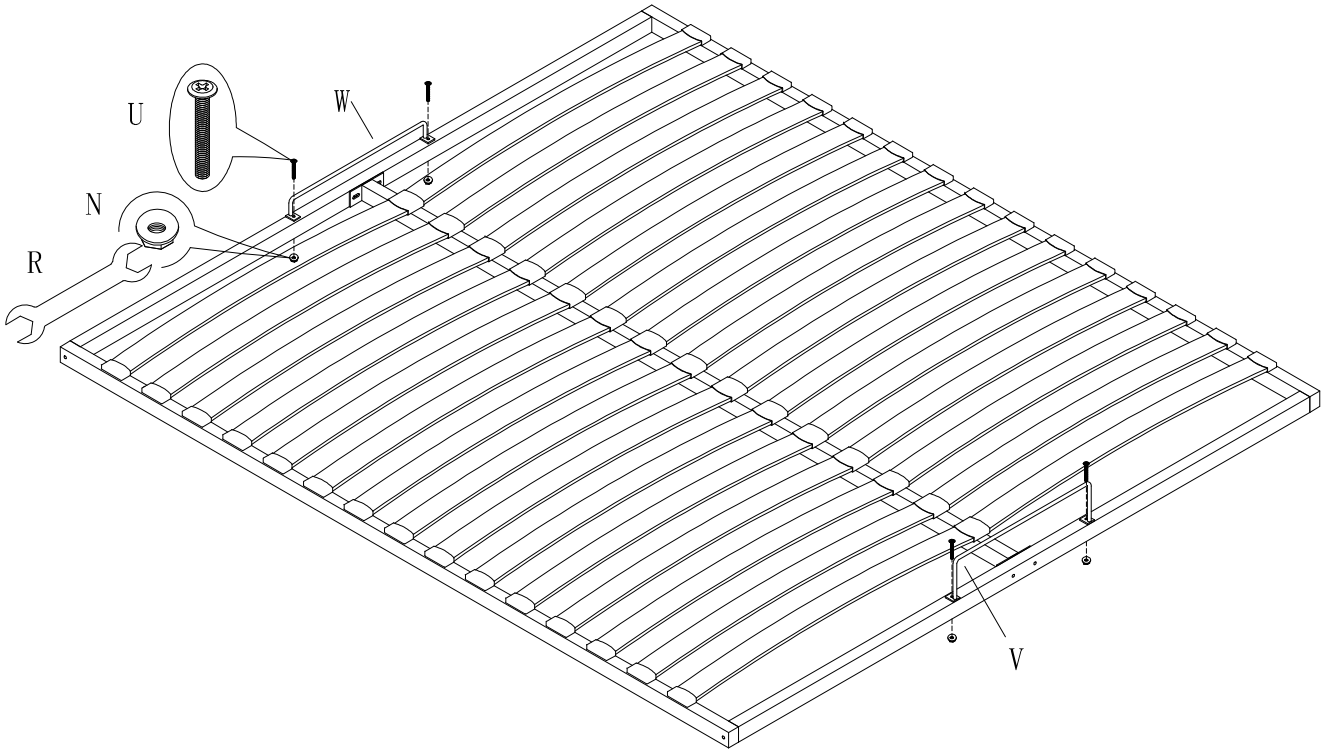




7

8





9

10

