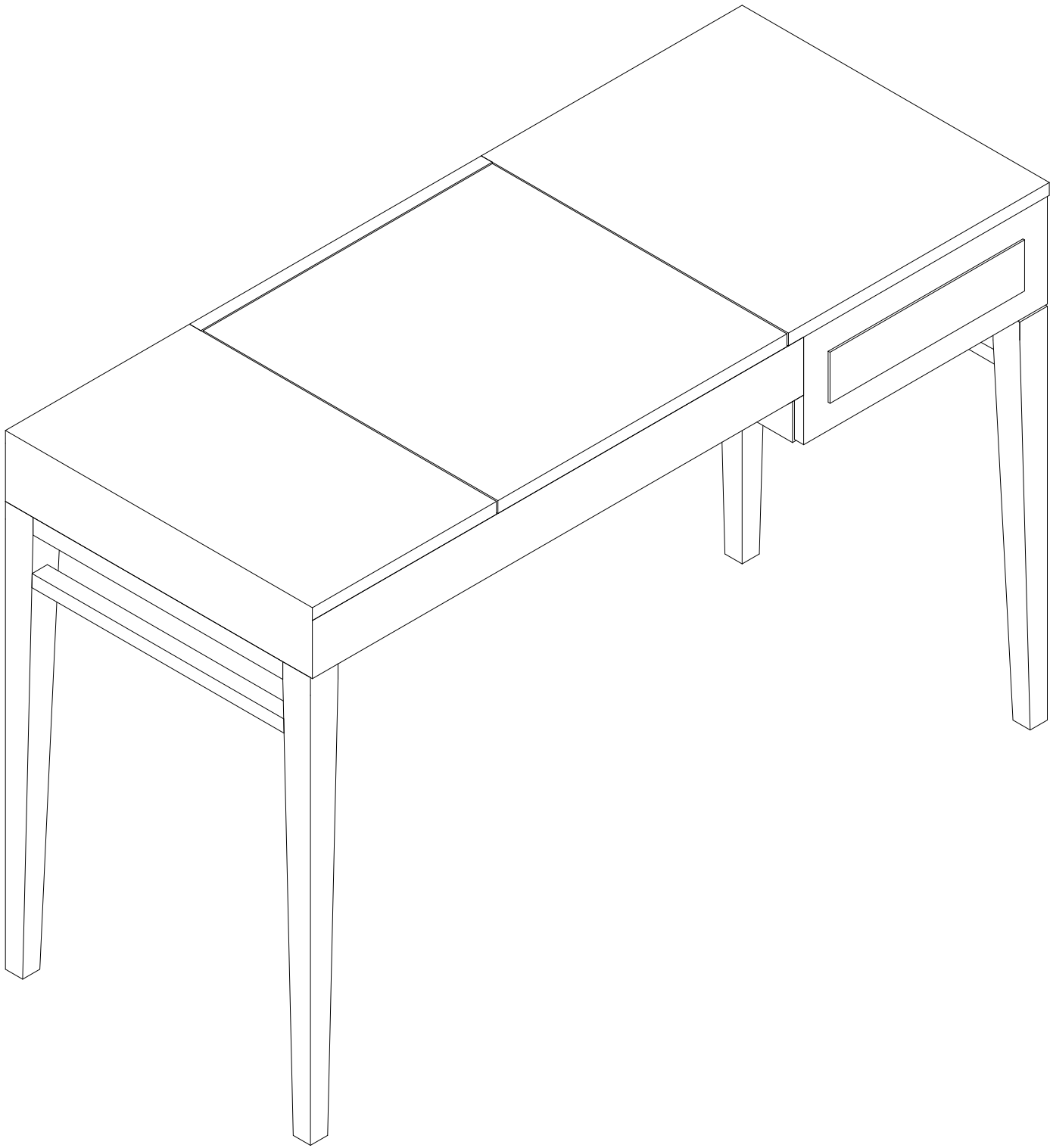
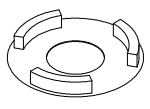
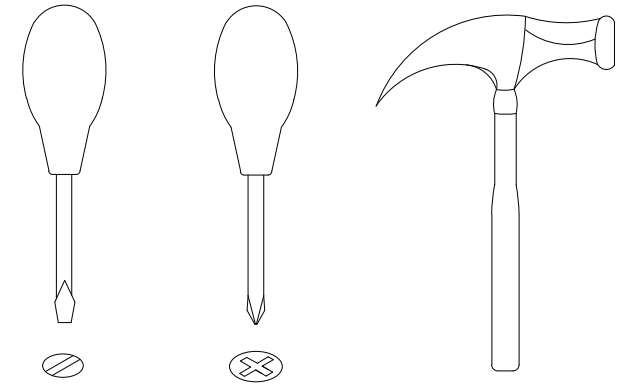
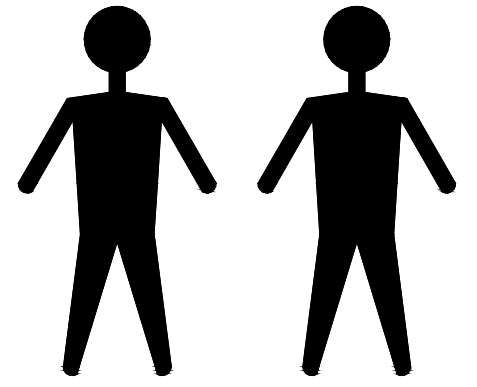


MDI. LDT. MRB. 7

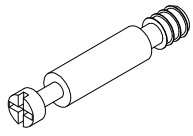


**EAC**

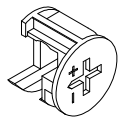
# MDI. LDT. MRB. 7



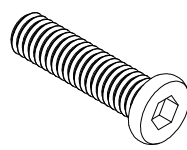
A x20  
Spec:



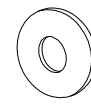
B x10  
Spec:  $\phi 7 * L30$



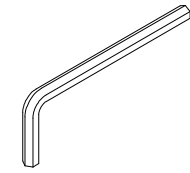
C x10  
Spec:  $\phi 15 * H12$



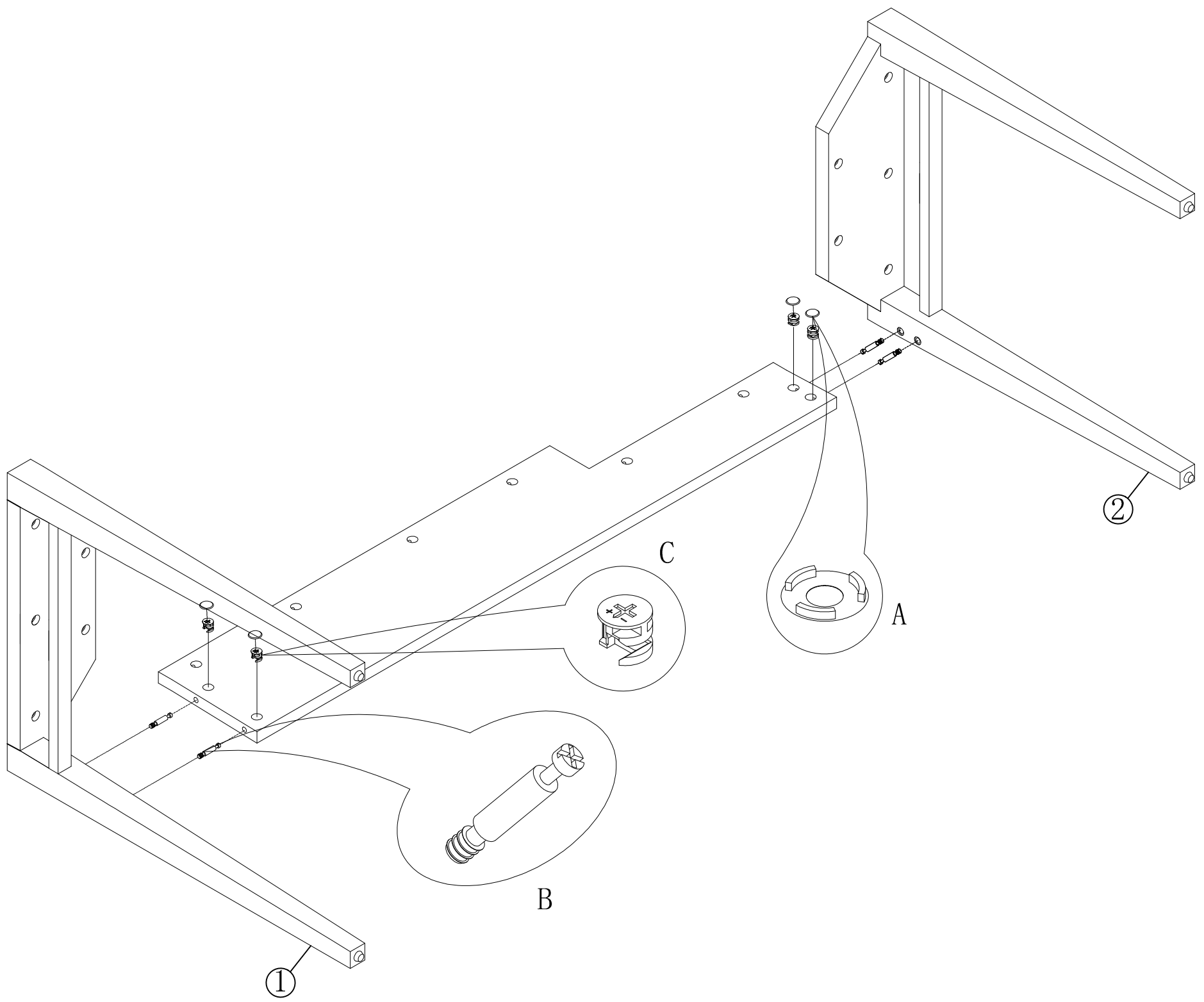
E x10  
Spec:  $5/16 * L30$



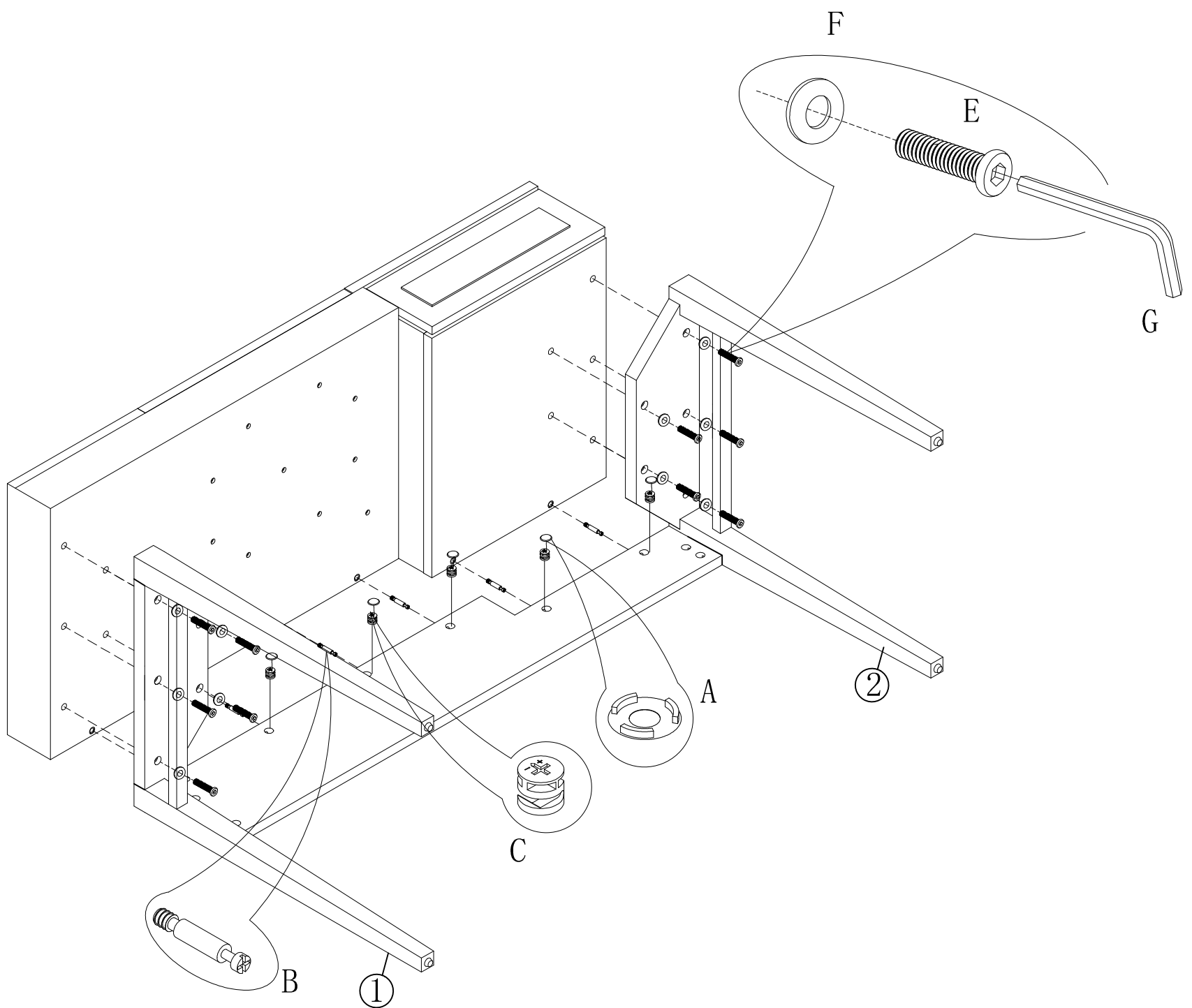
F x10  
Spec:  $M14 * 8.2 * 1$



G x1  
Spec: 5#



2



# Adjustable Method

