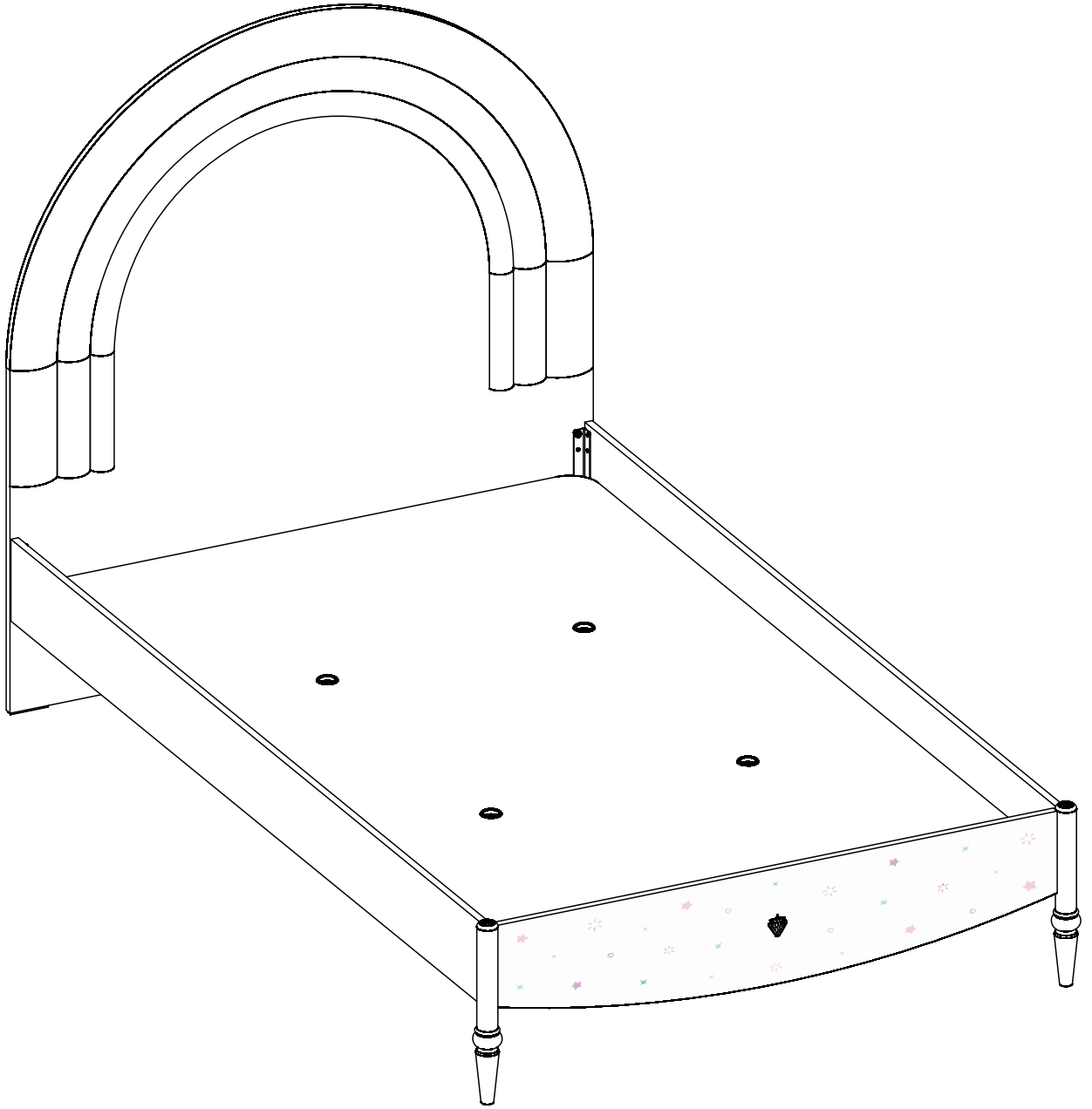
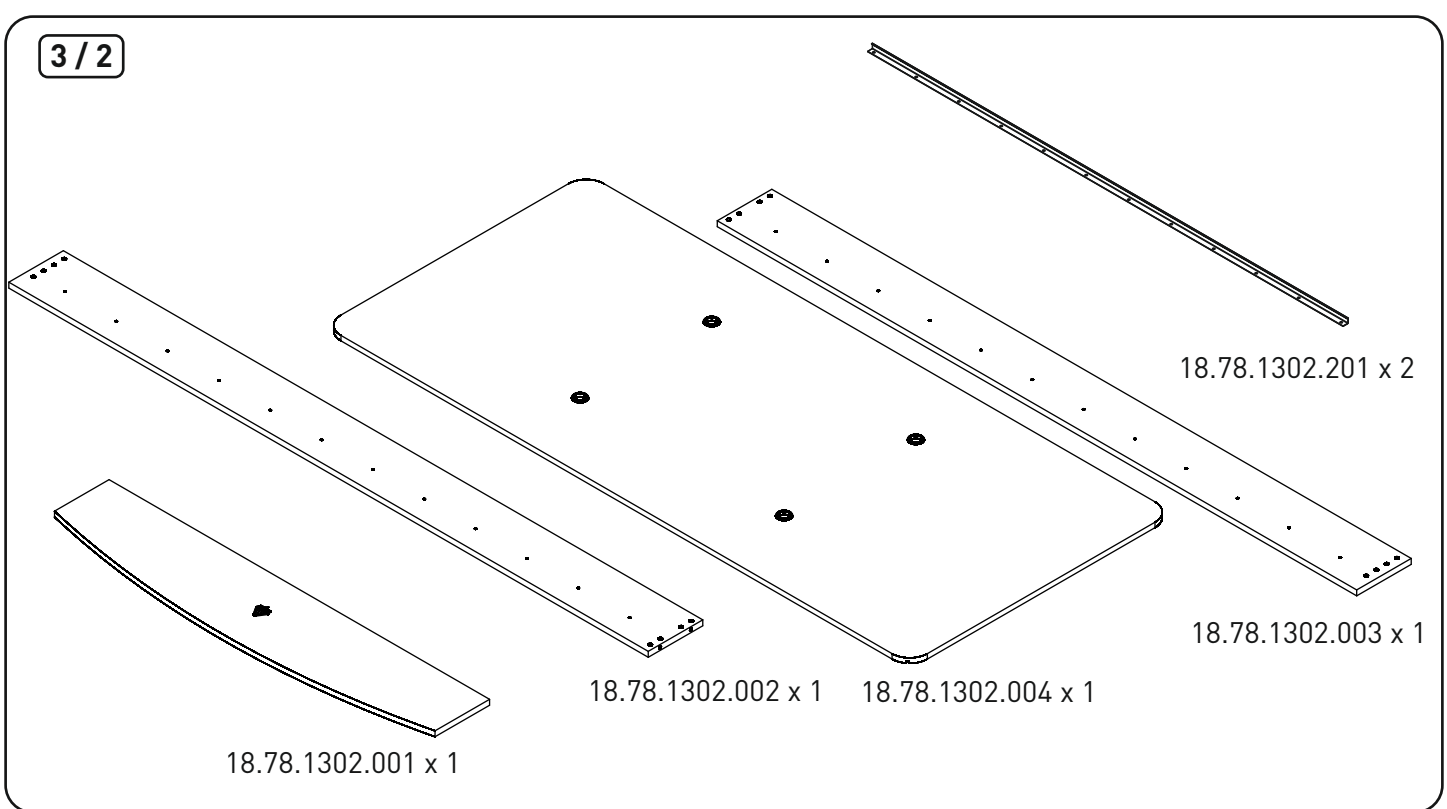
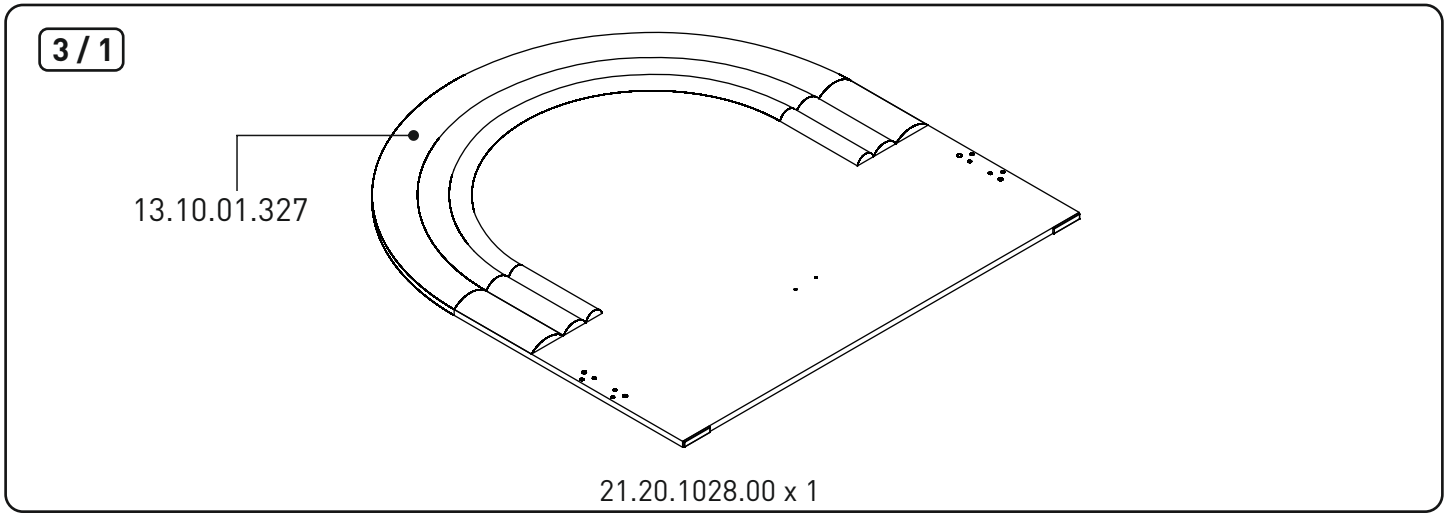
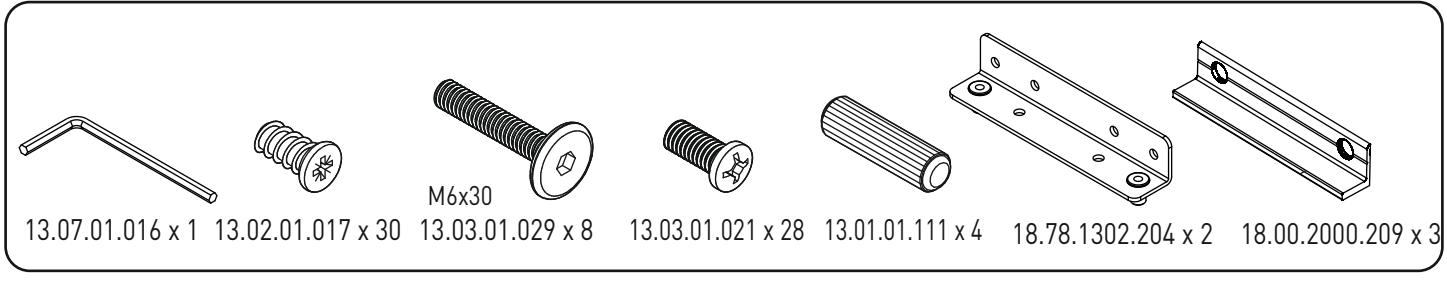
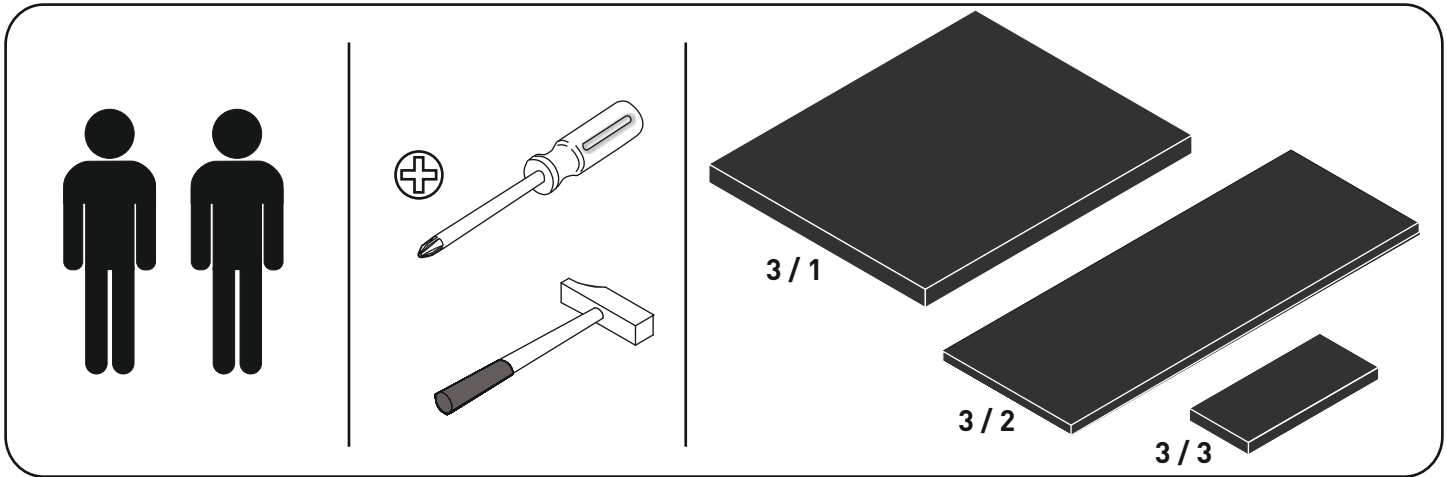
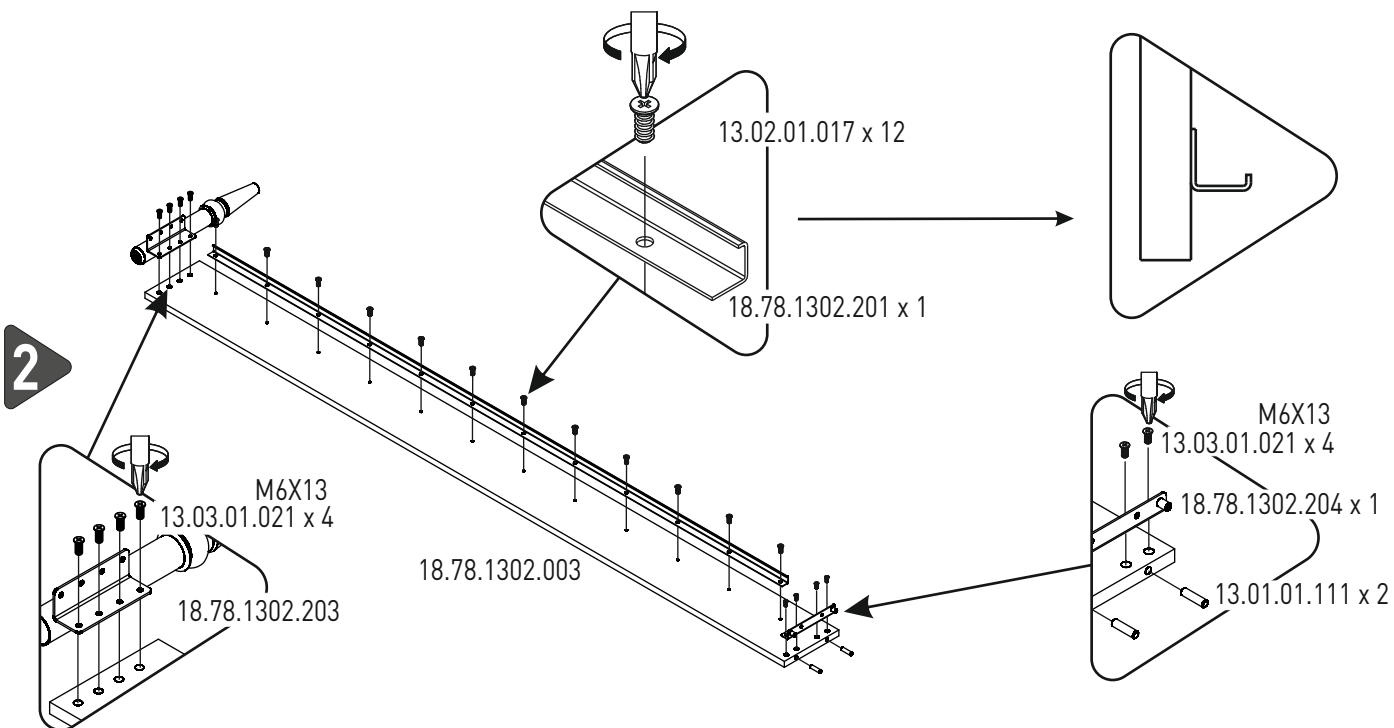
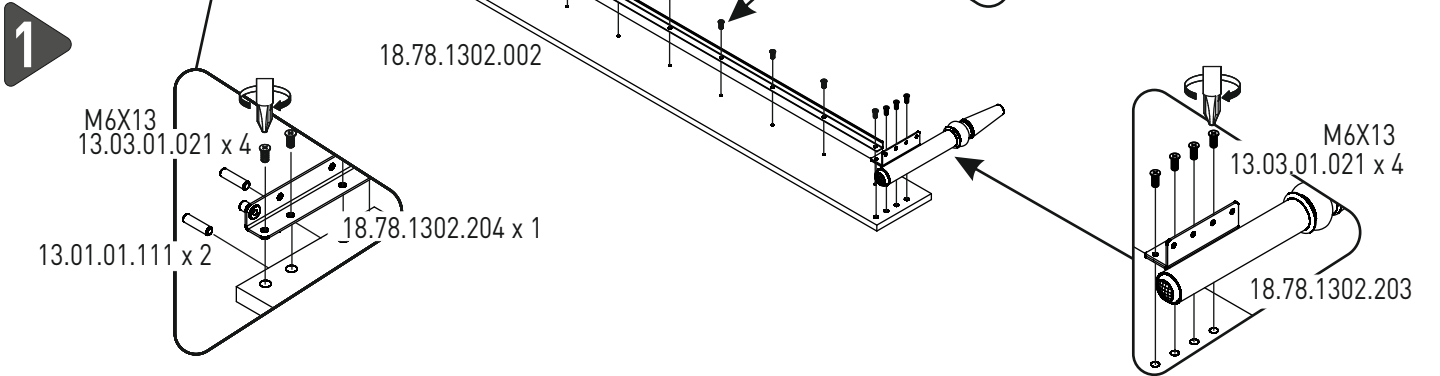
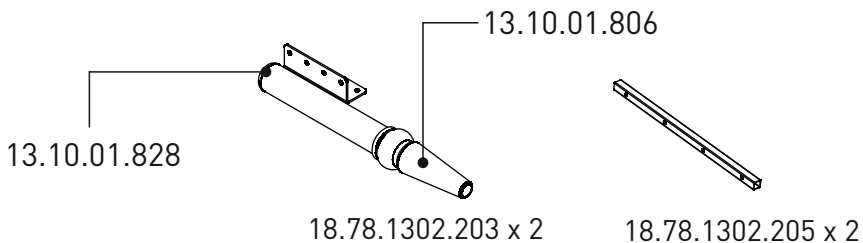


20.78.1302.00

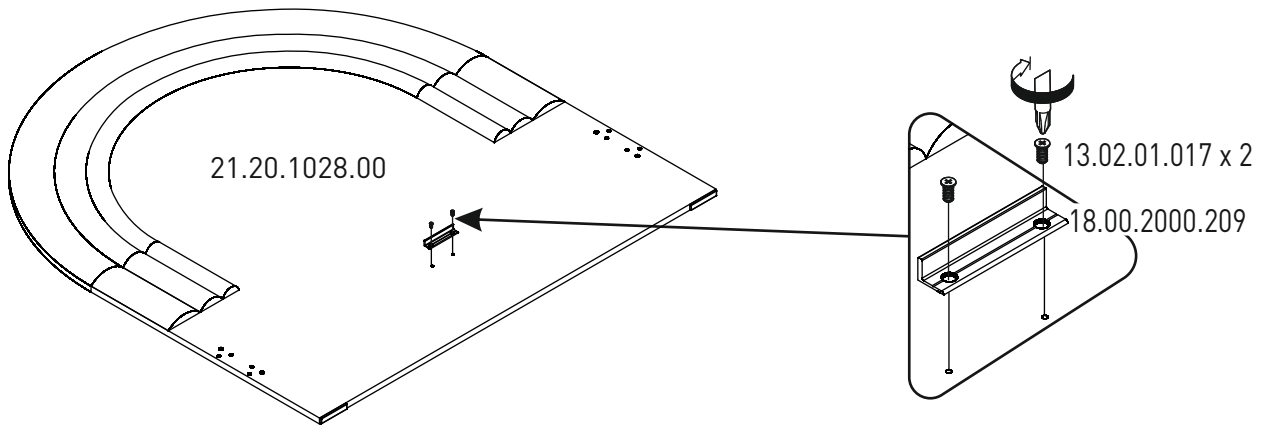




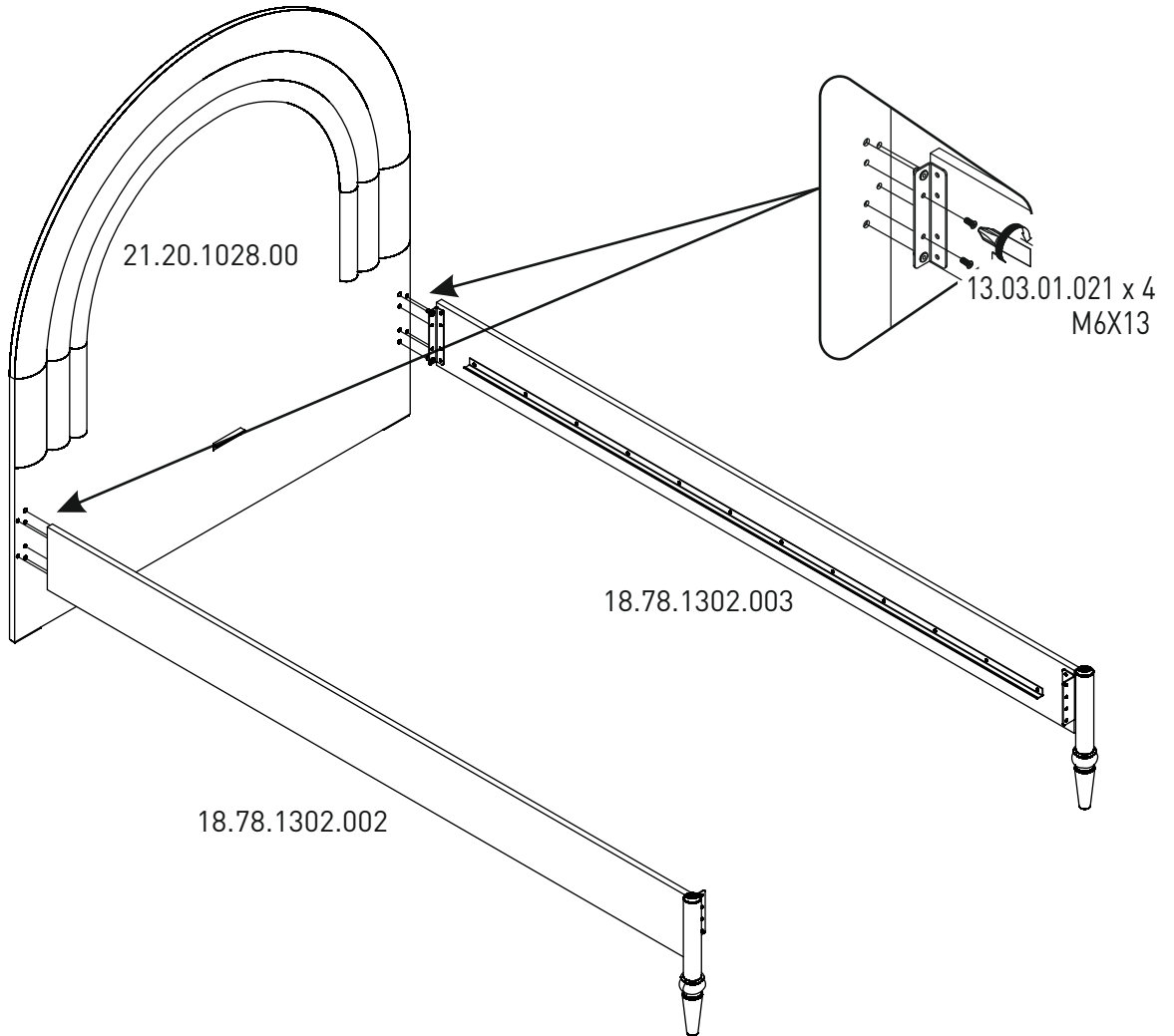
3 / 3



4



5



6

