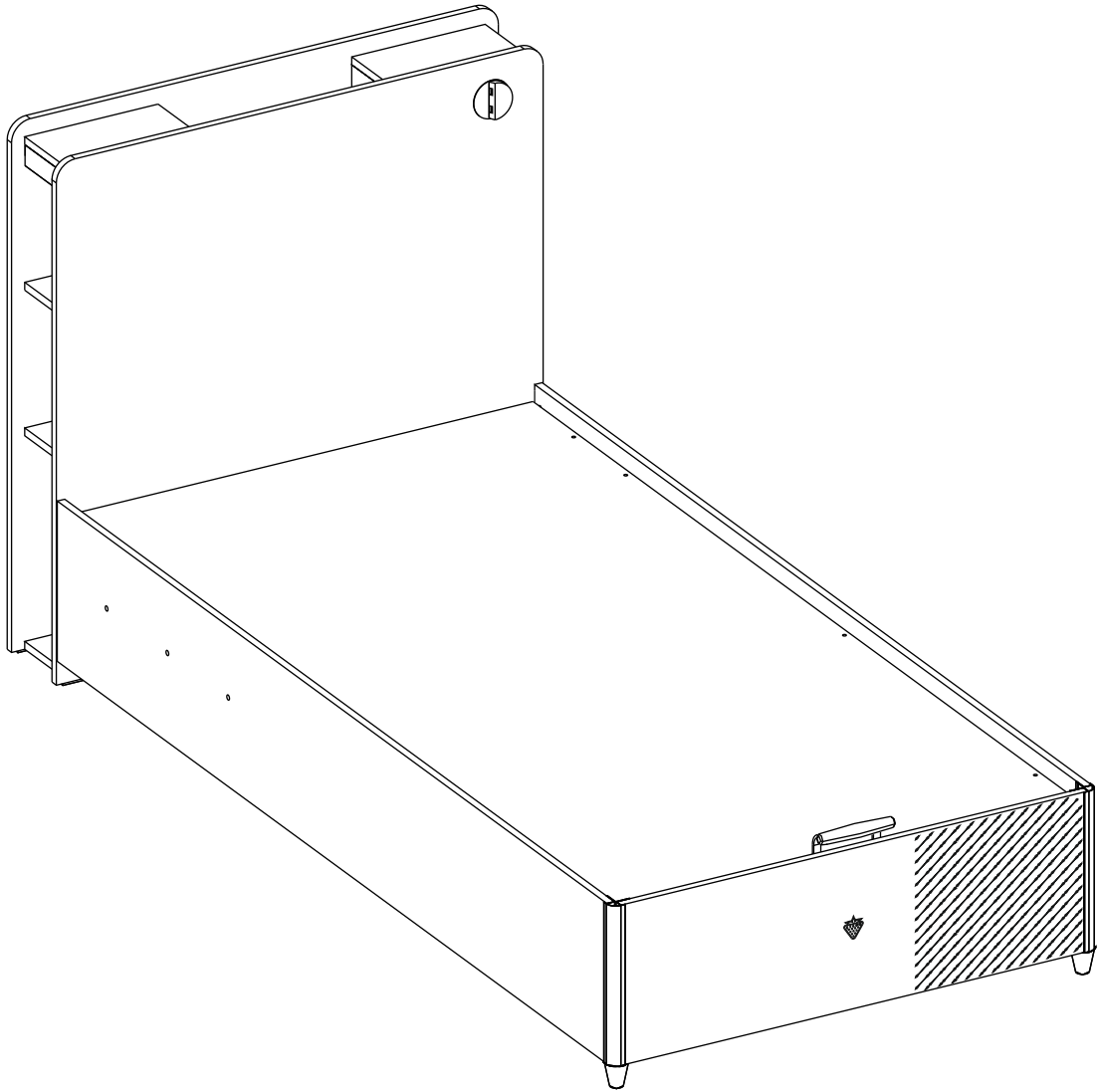
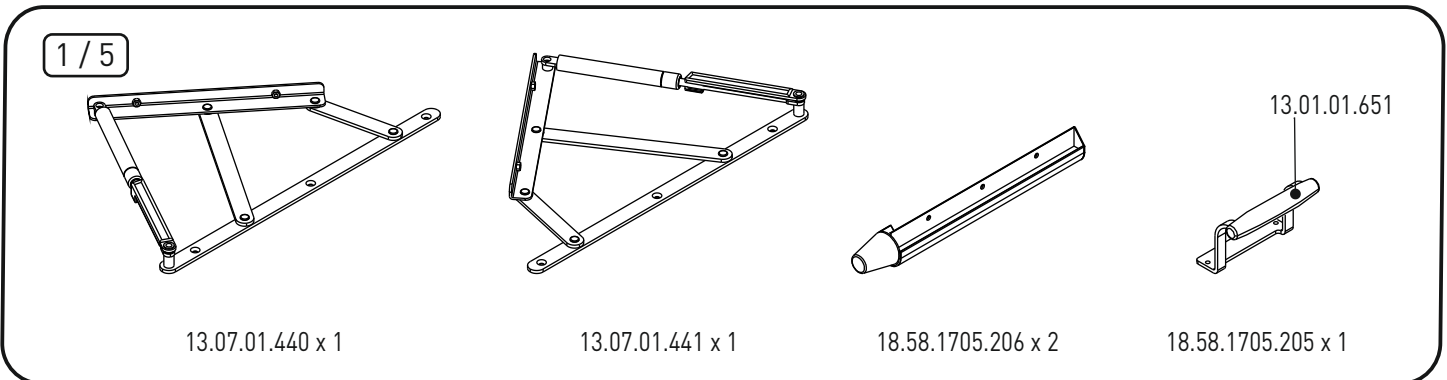
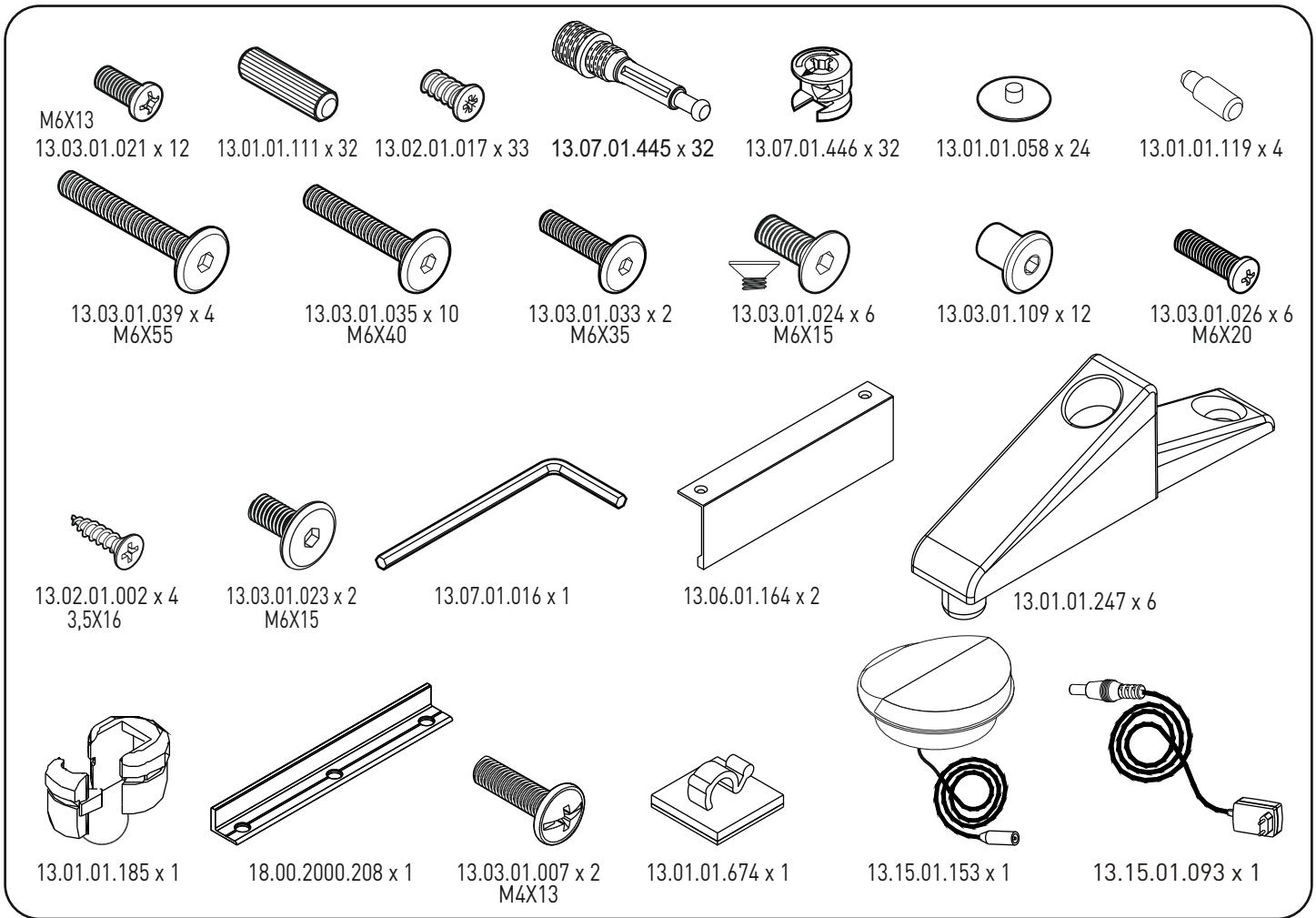
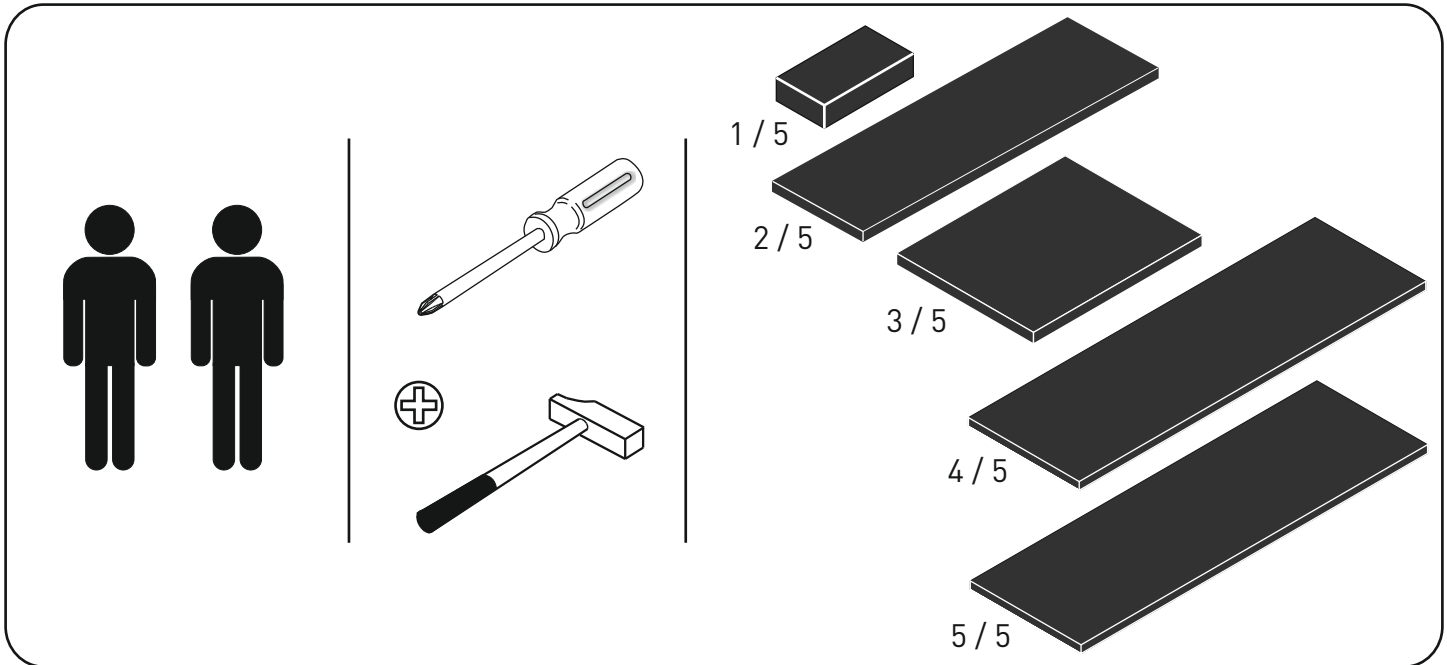
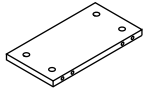


20.58.1705.00

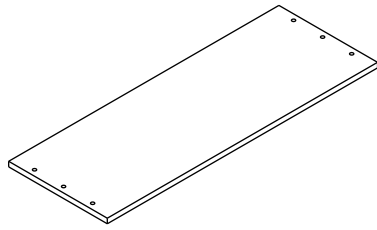




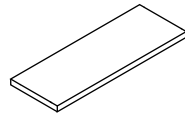
2/5



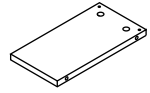
18.58.1705.008 x 2



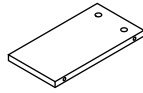
18.58.1705.003 x 1



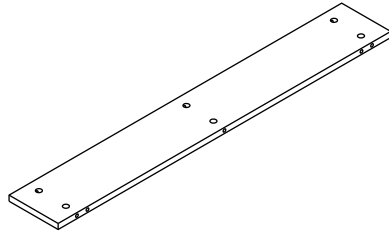
18.58.1705.009 x 1



18.58.1705.010 x 2

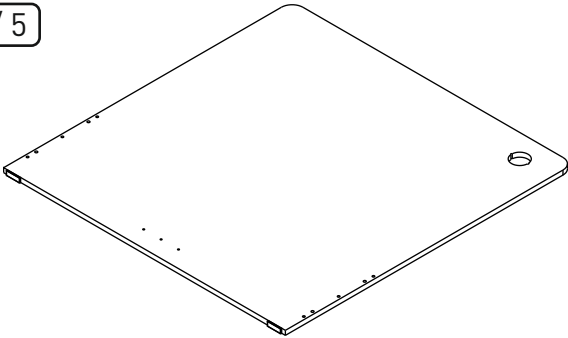


18.58.1705.012 x 4

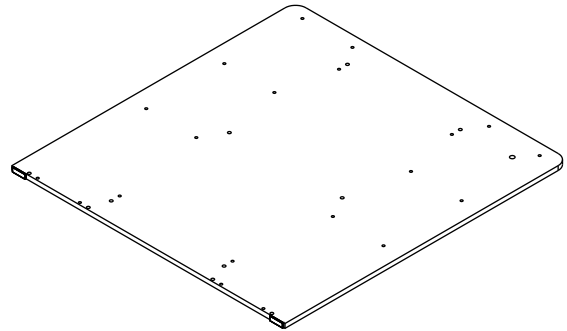


18.58.1705.014 x 2

3/5

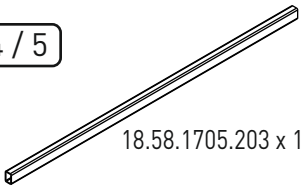


18.58.1705.006 x 1

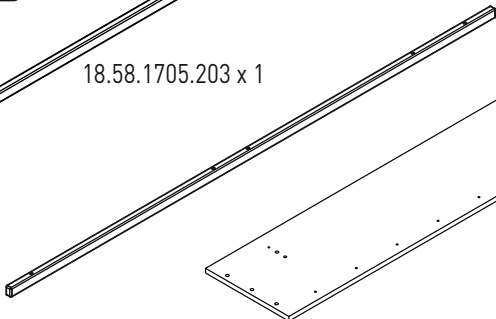


18.58.1705.007 x 1

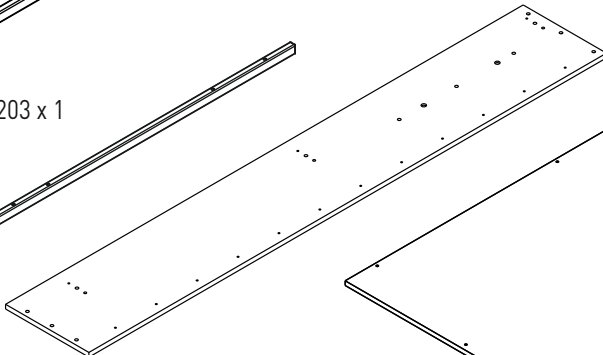
4/5



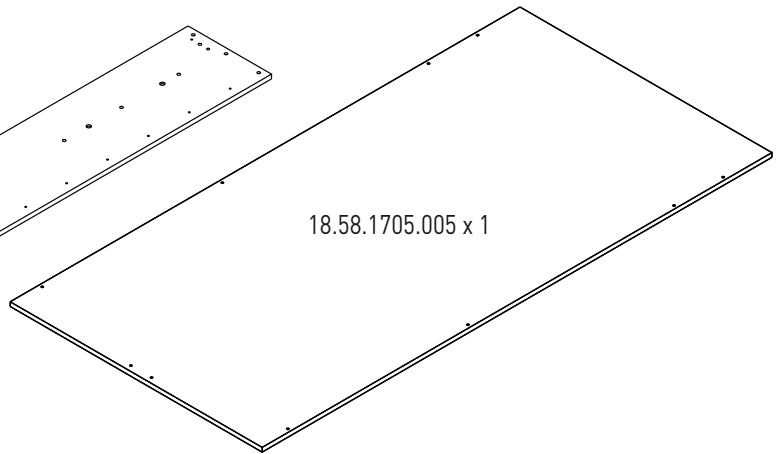
18.58.1705.203 x 1



18.58.1705.202 x 2

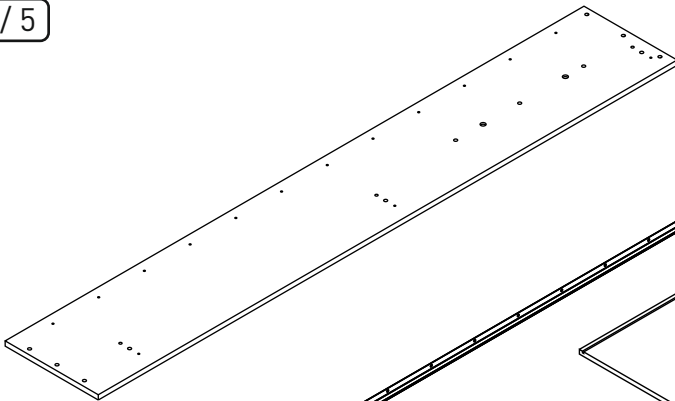


18.58.1705.001 x 1

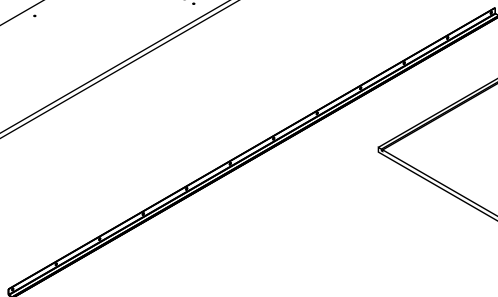


18.58.1705.005 x 1

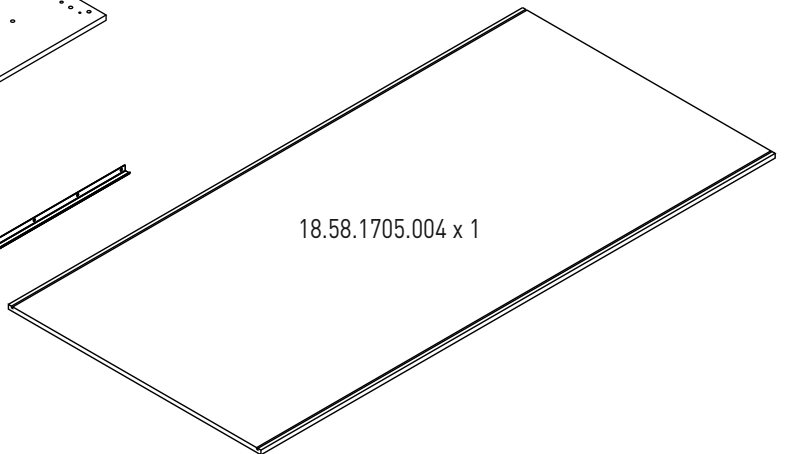
5/5



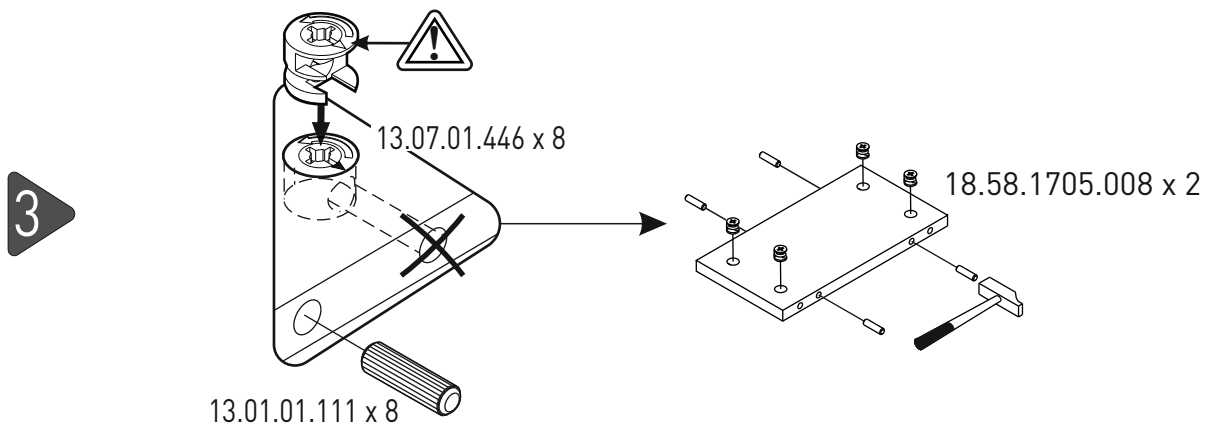
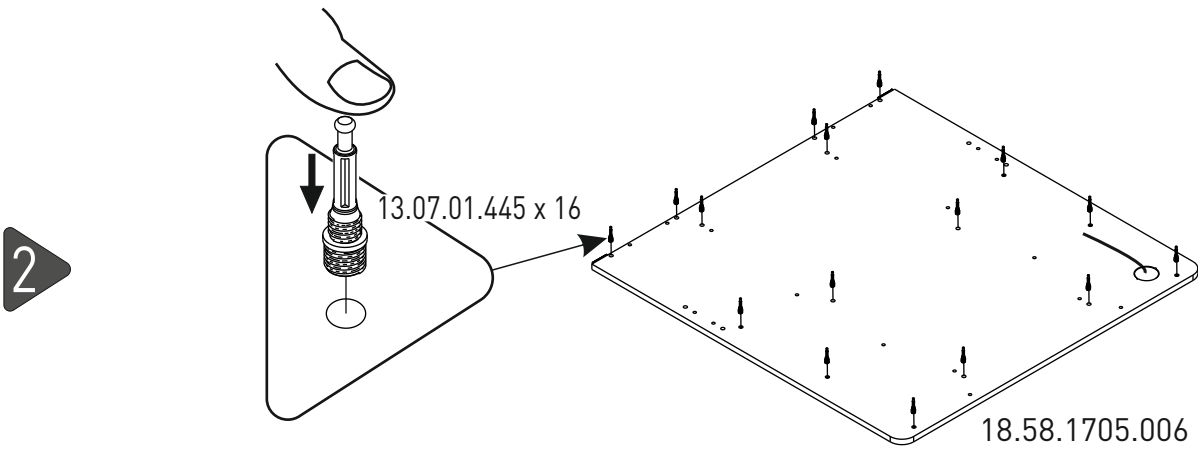
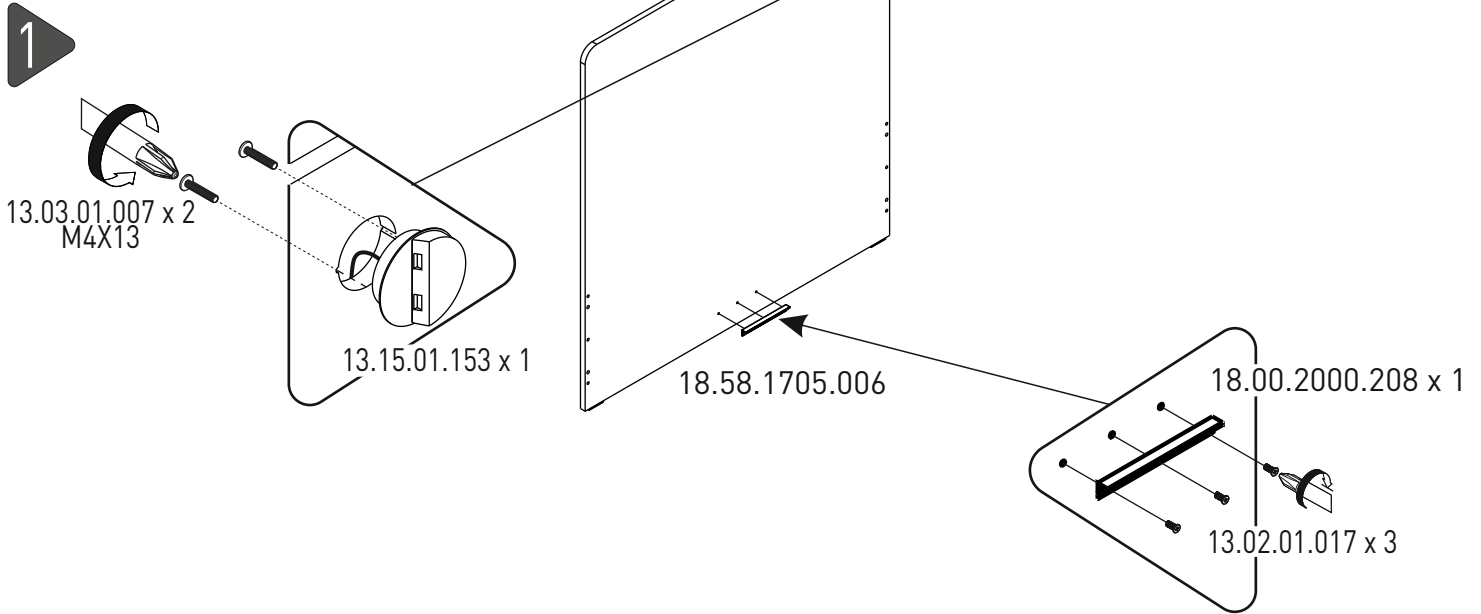
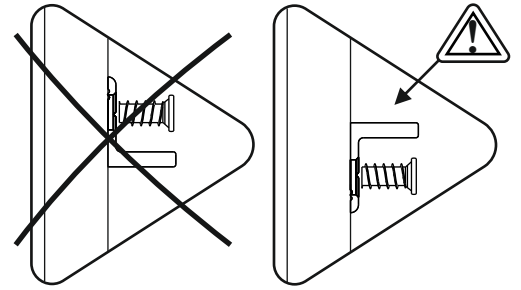
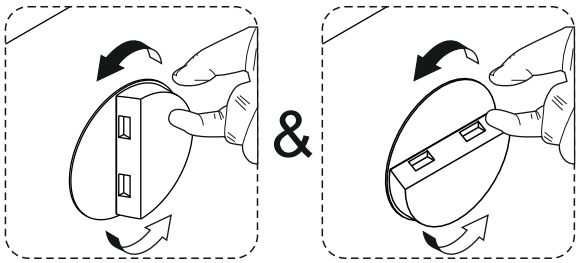
18.58.1705.002 x 1



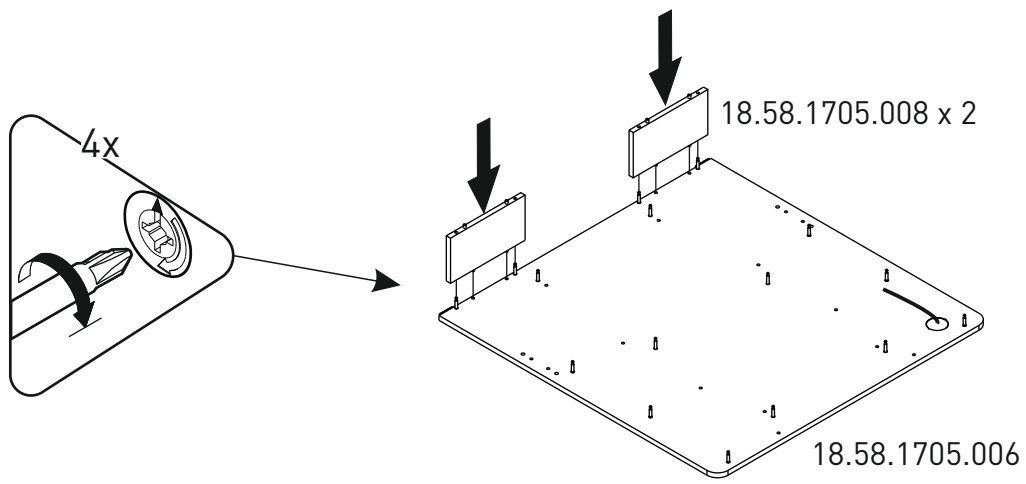
18.58.1705.201 x 2



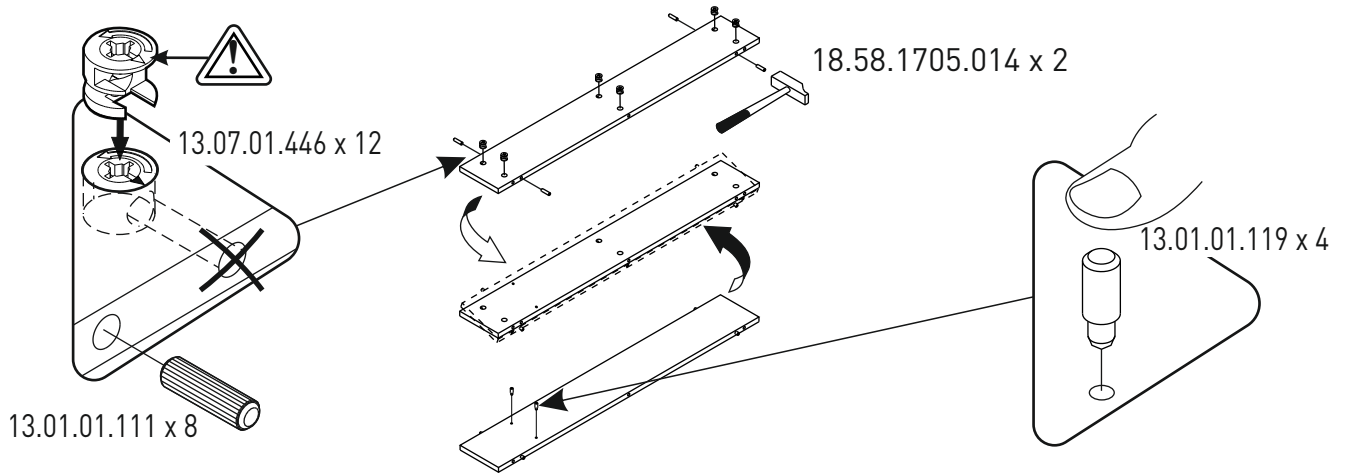
18.58.1705.004 x 1



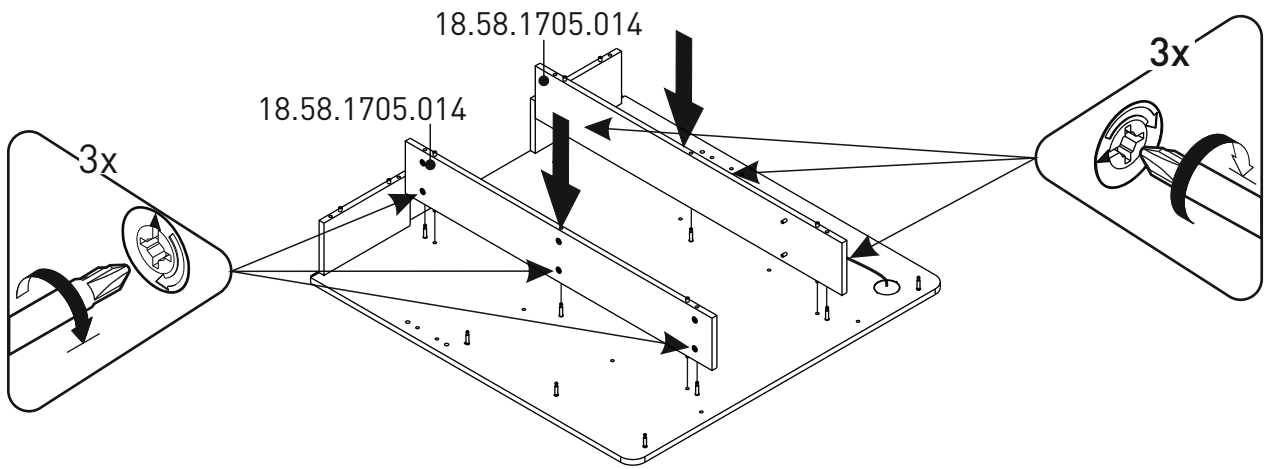
4



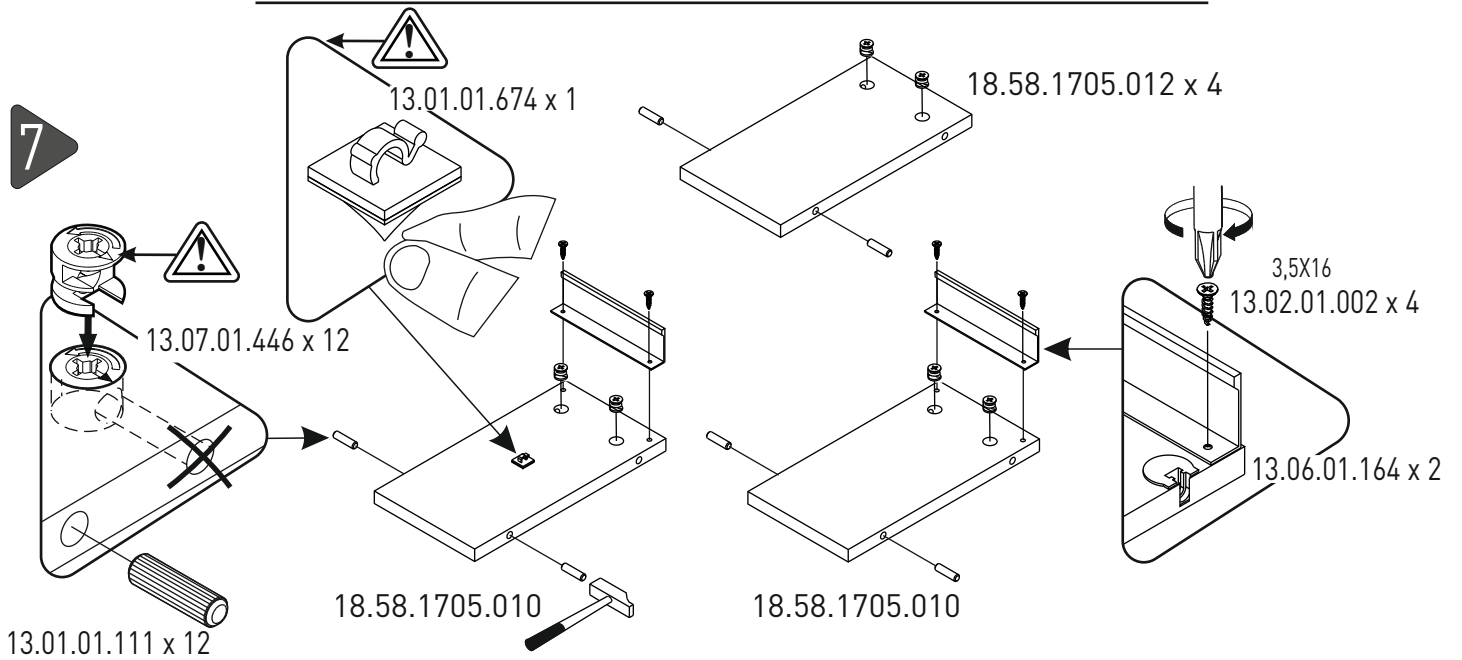
5



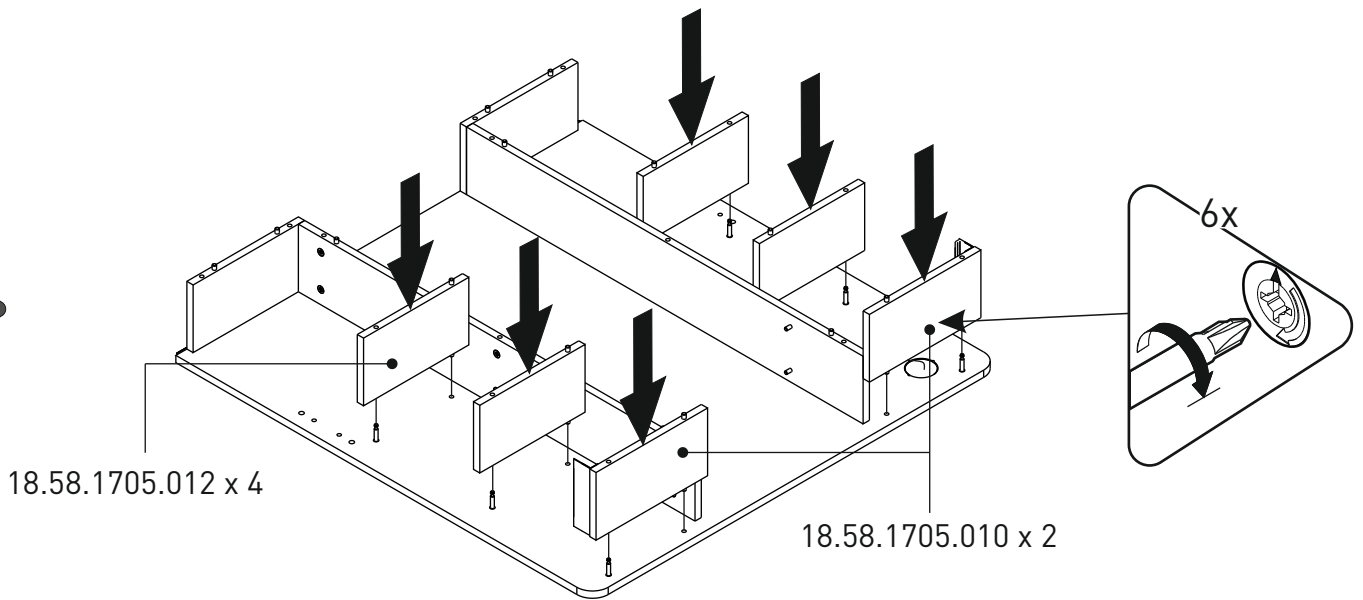
6



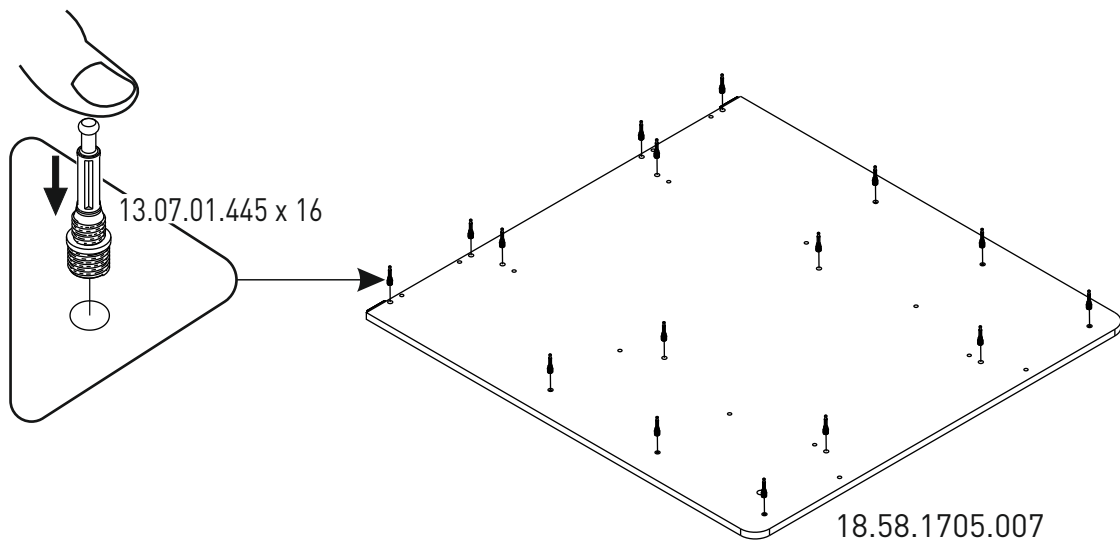
7



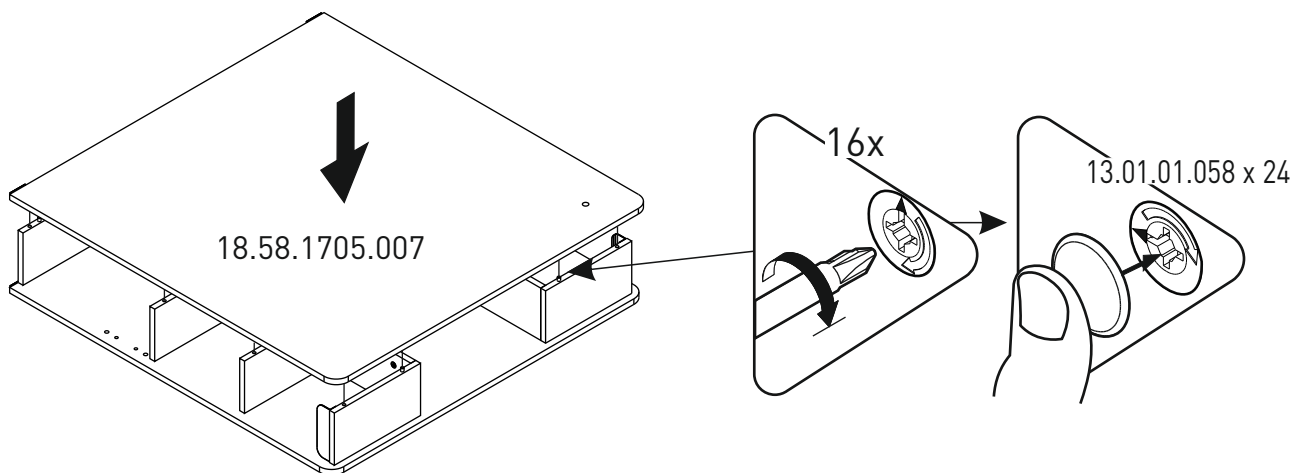
8



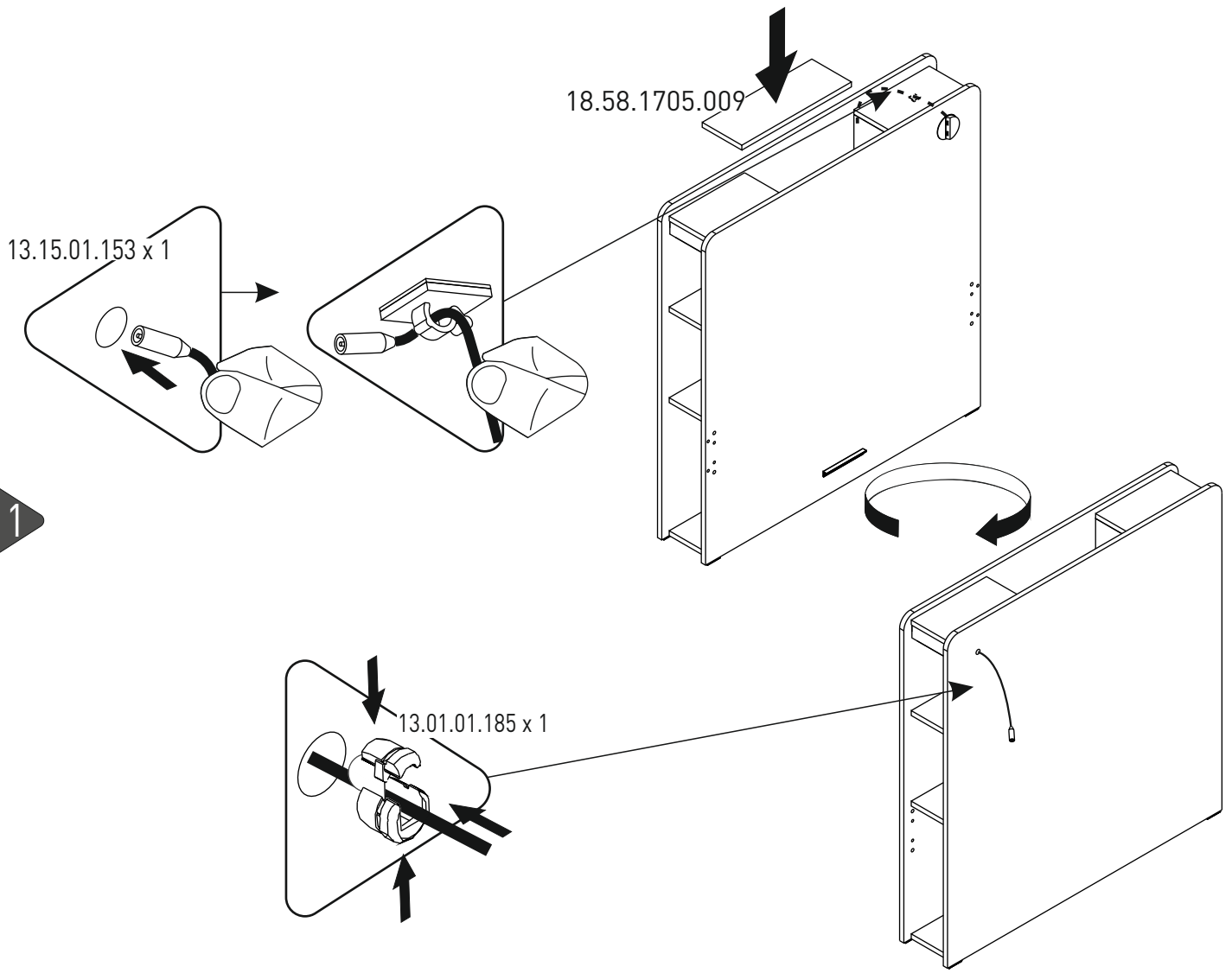
9



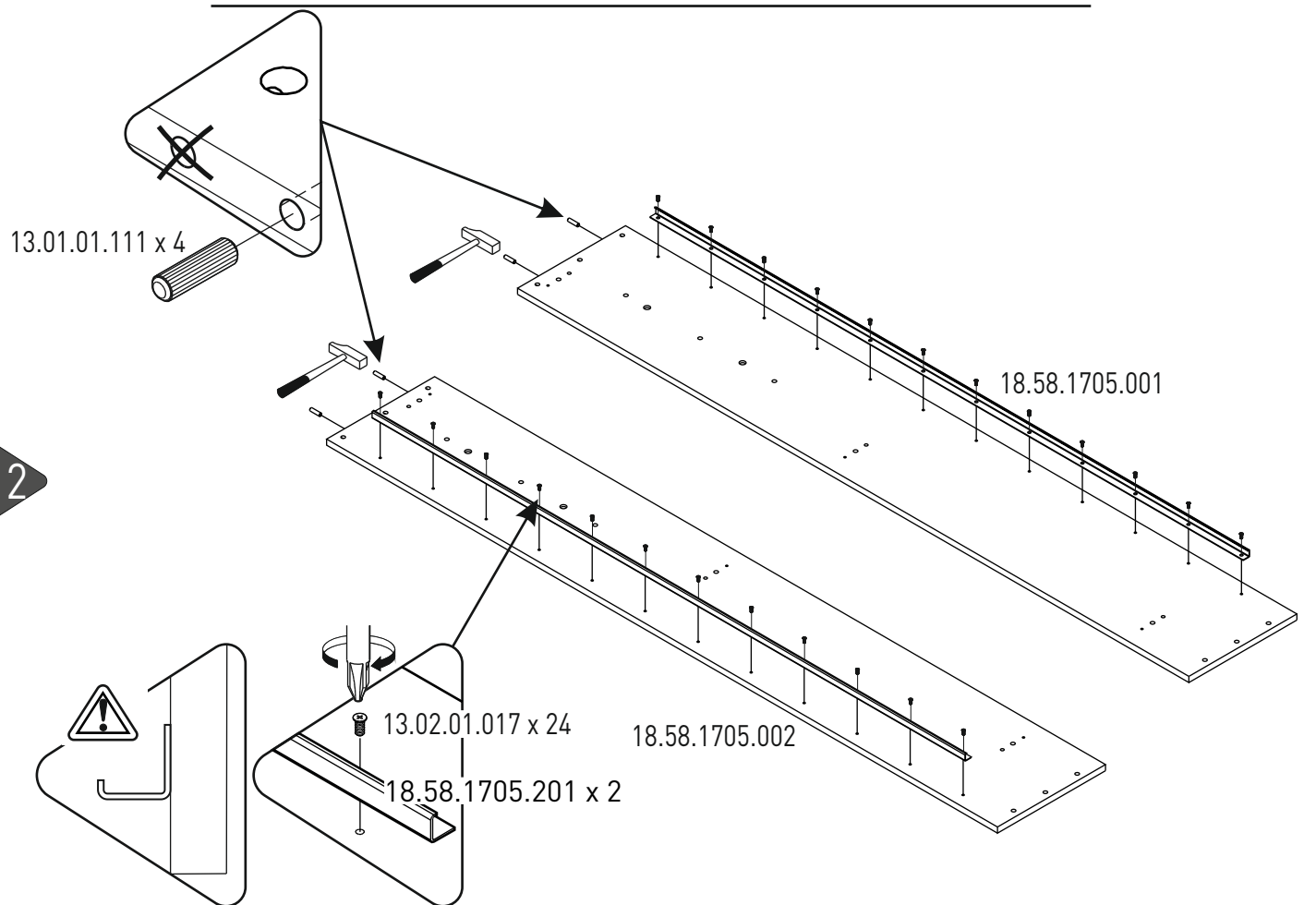
10



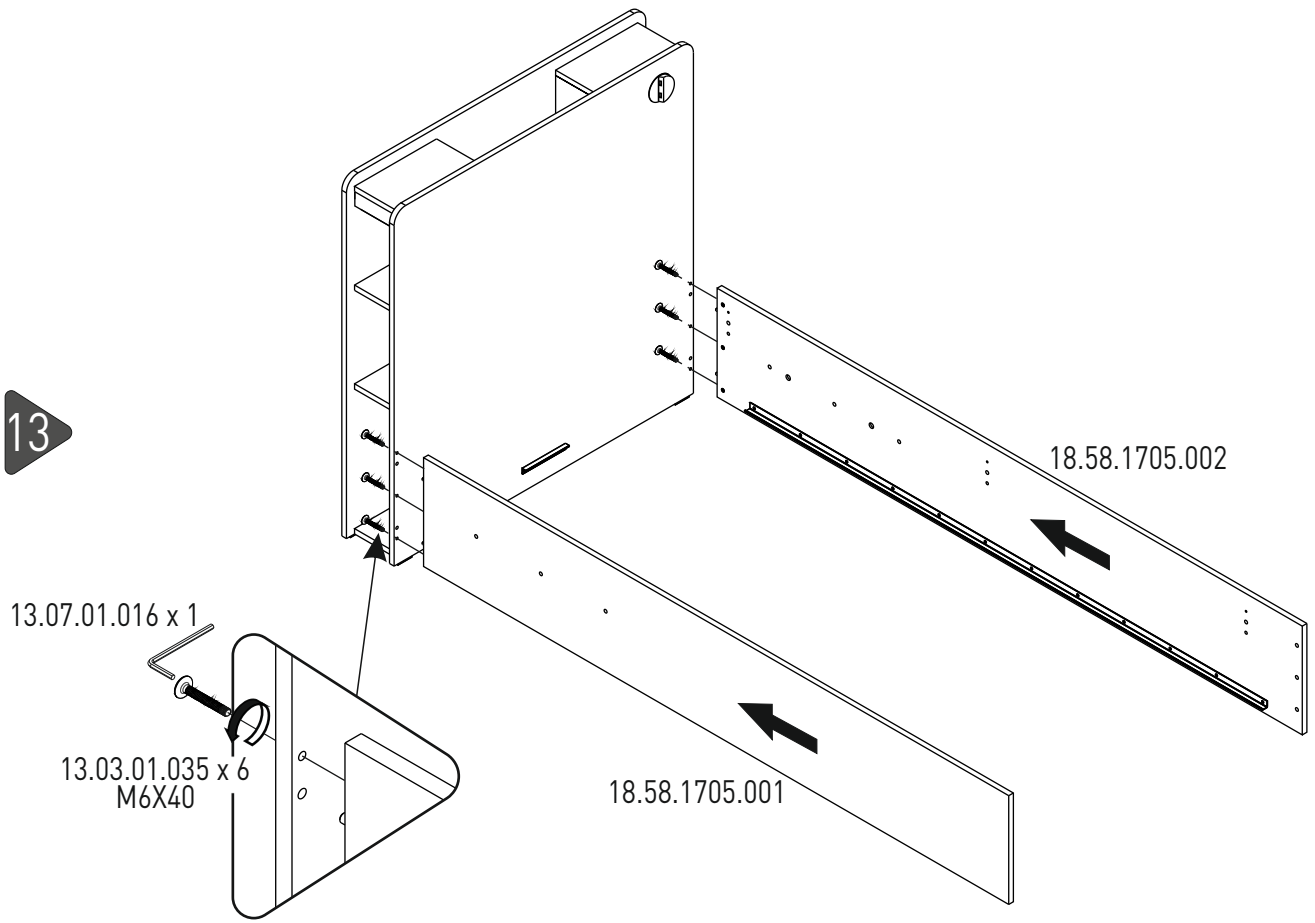
11



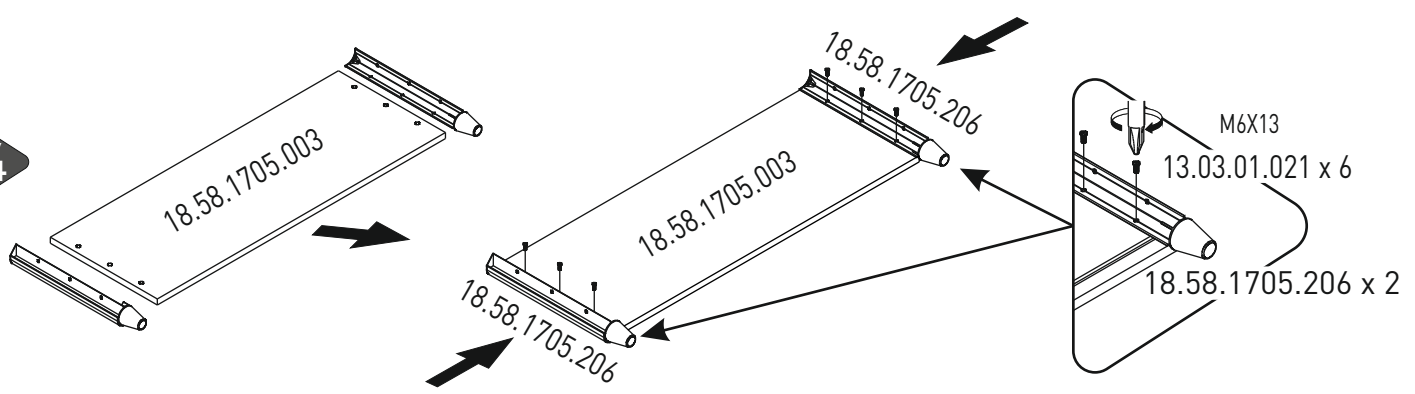
12



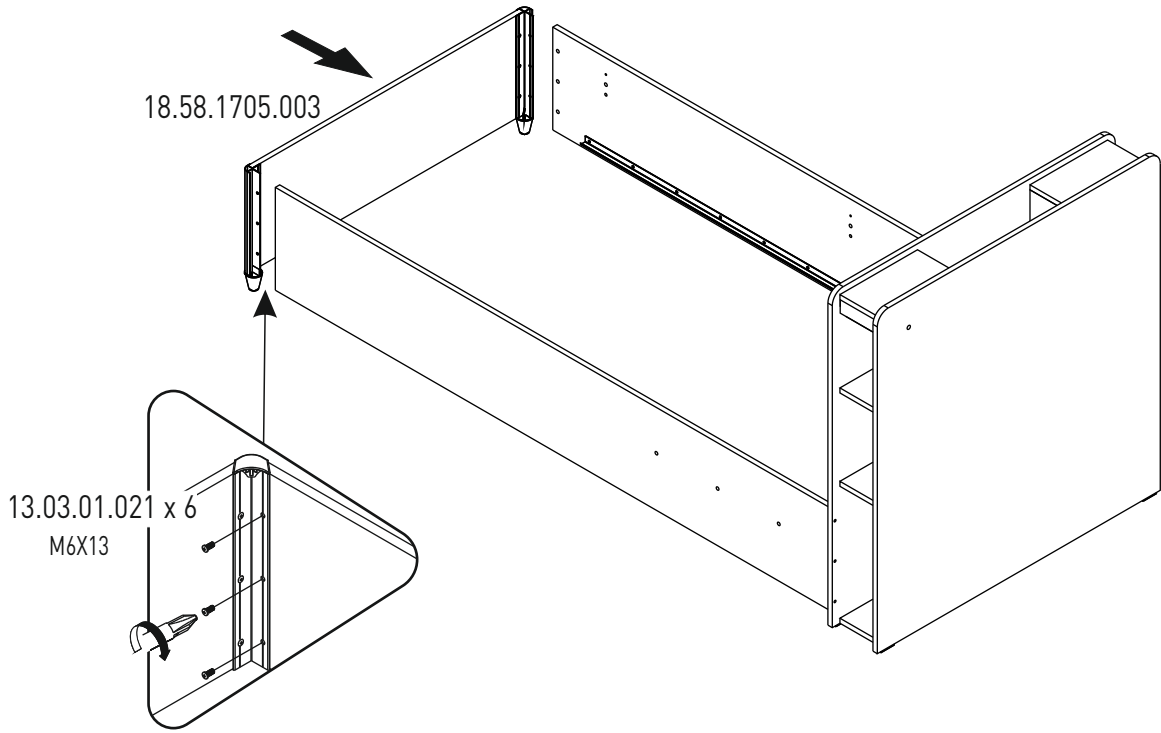
13



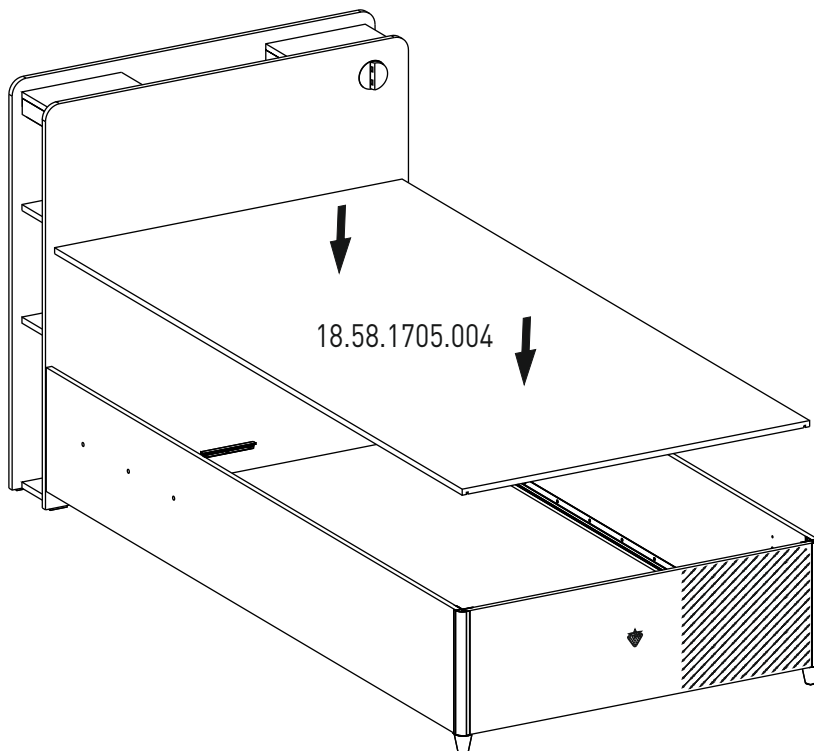
14



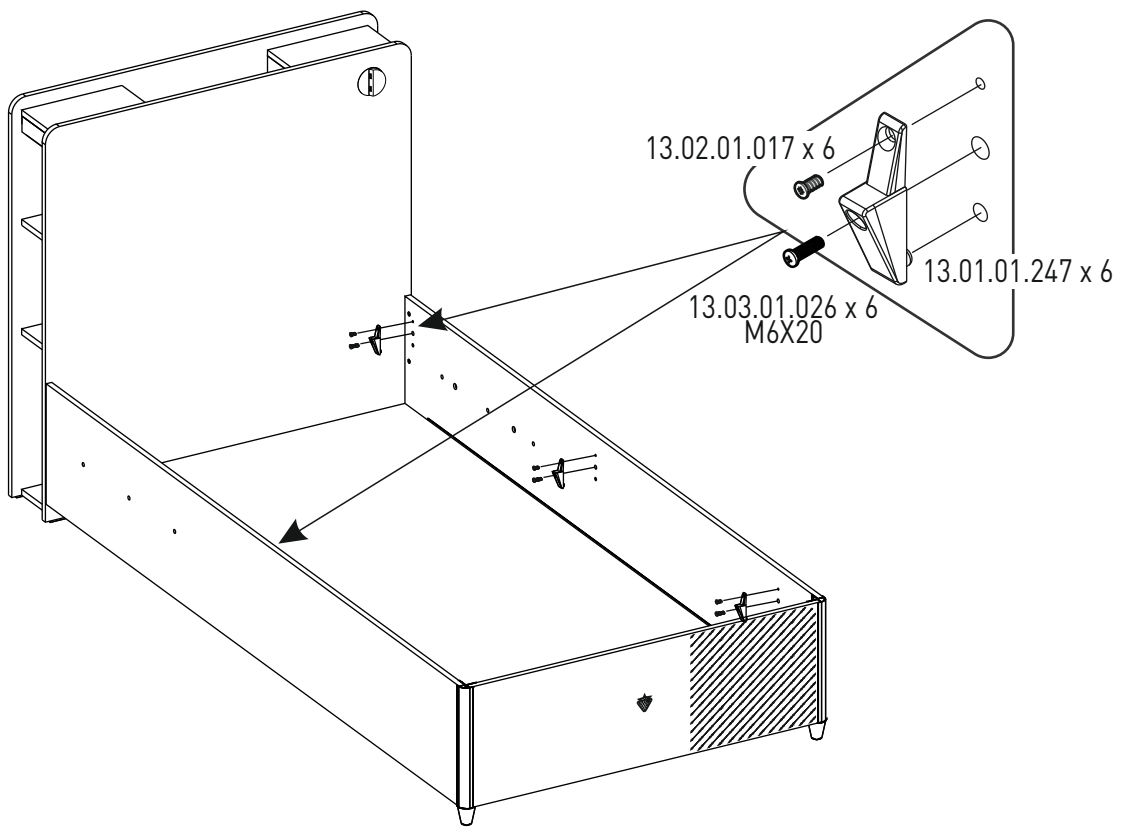
15



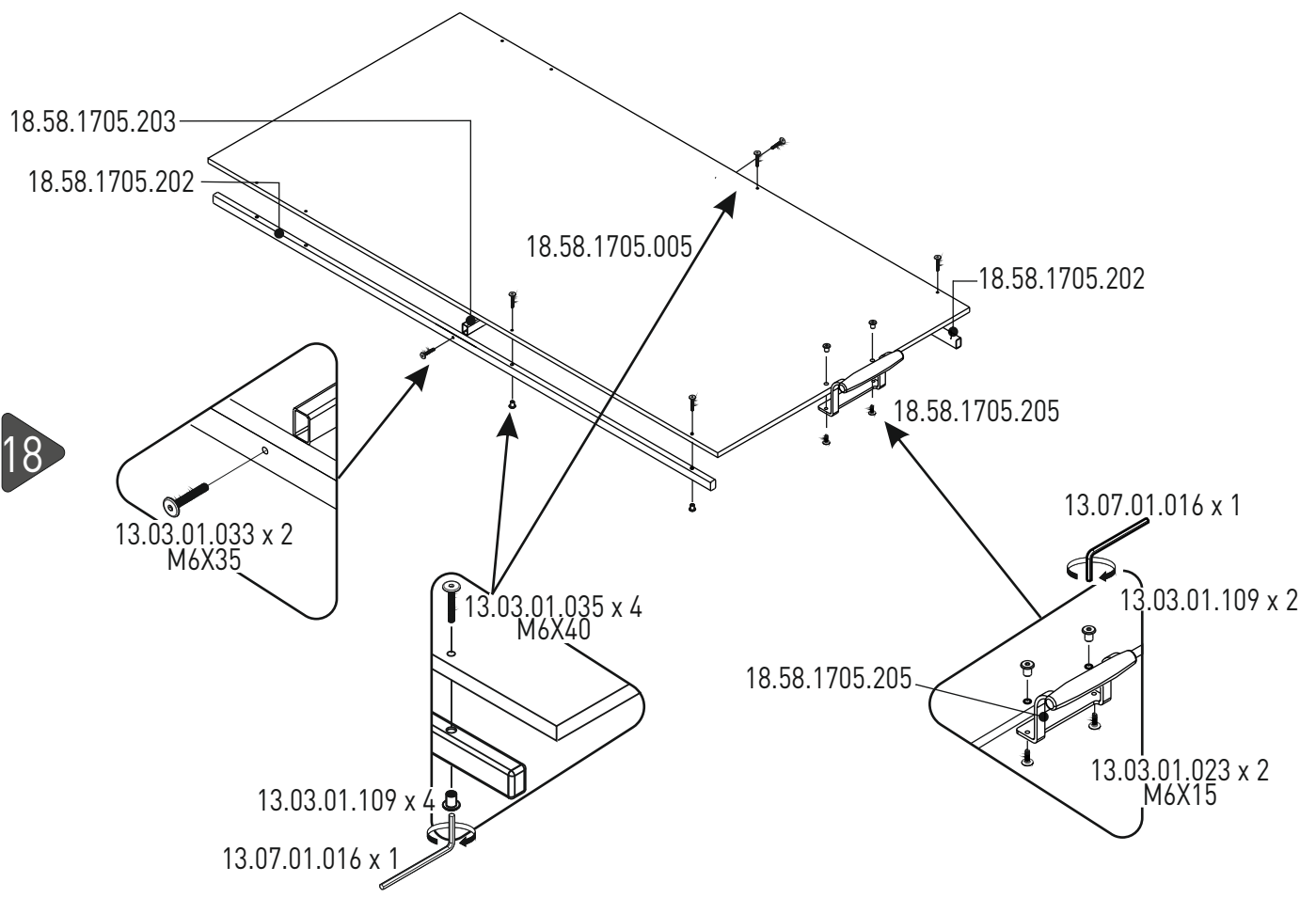
16

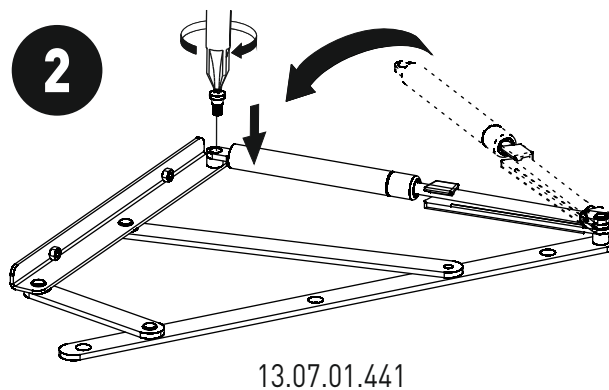
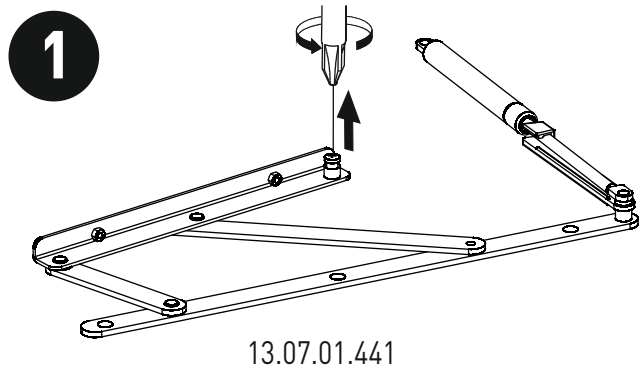


17

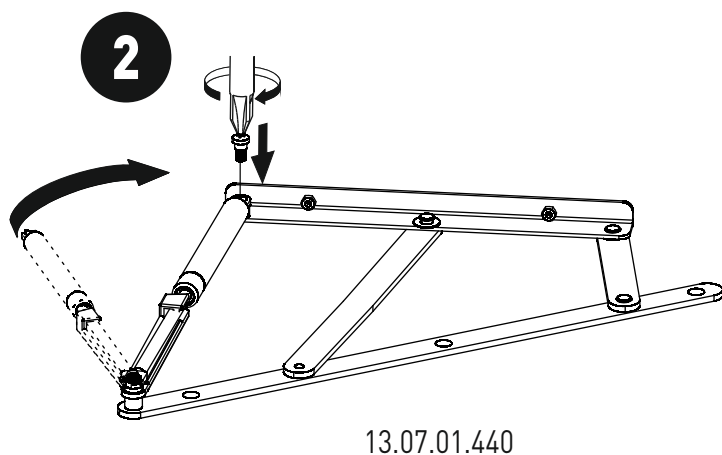
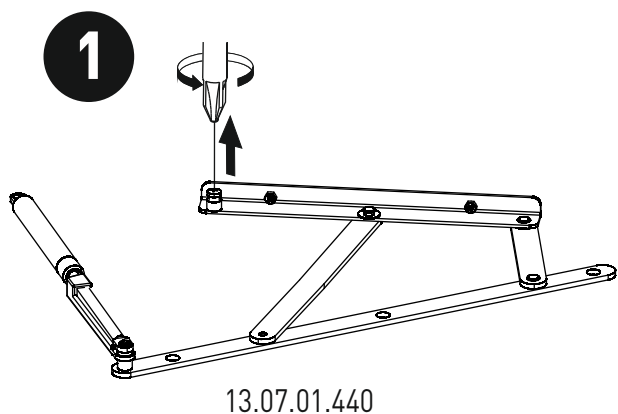


18

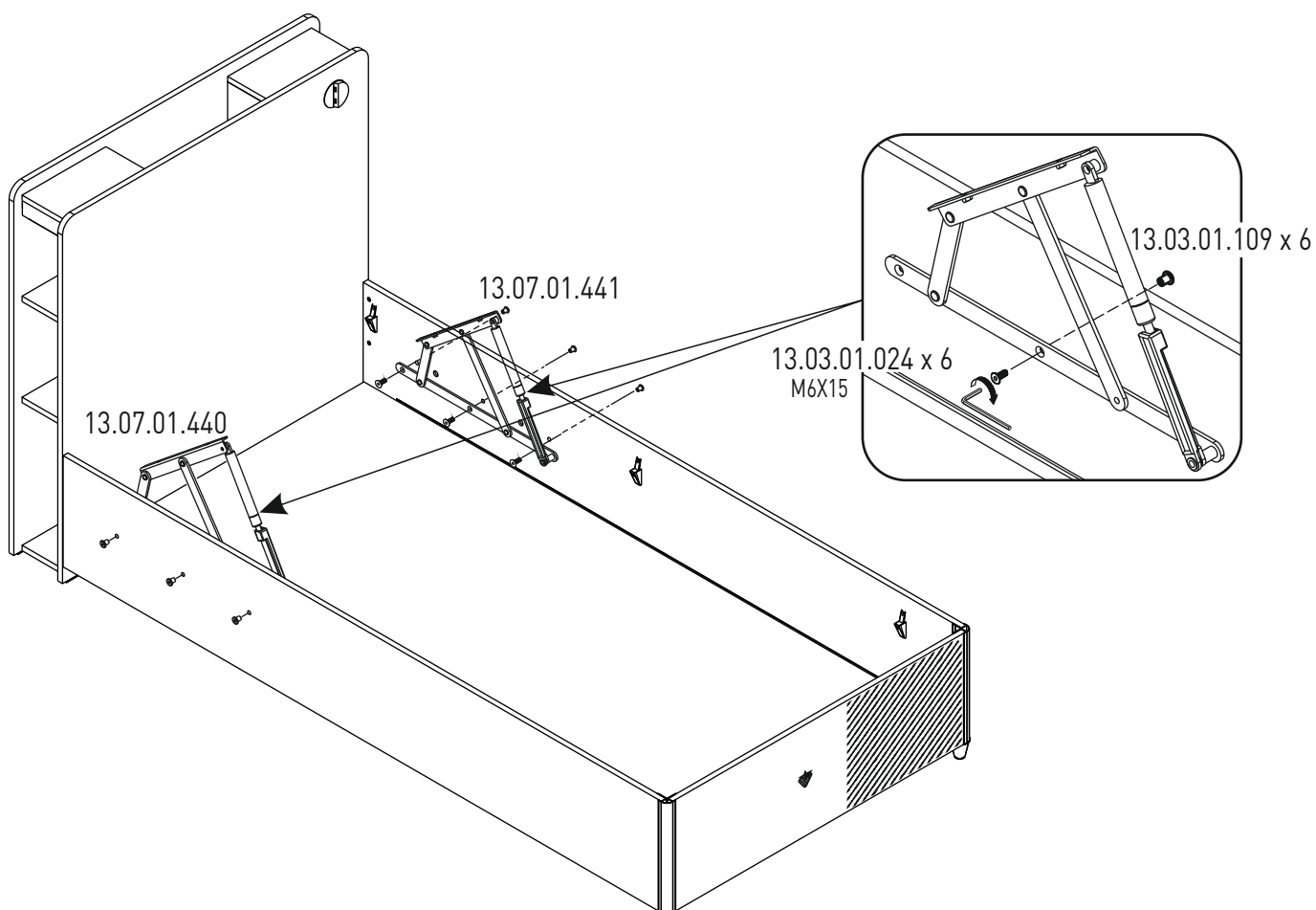




19

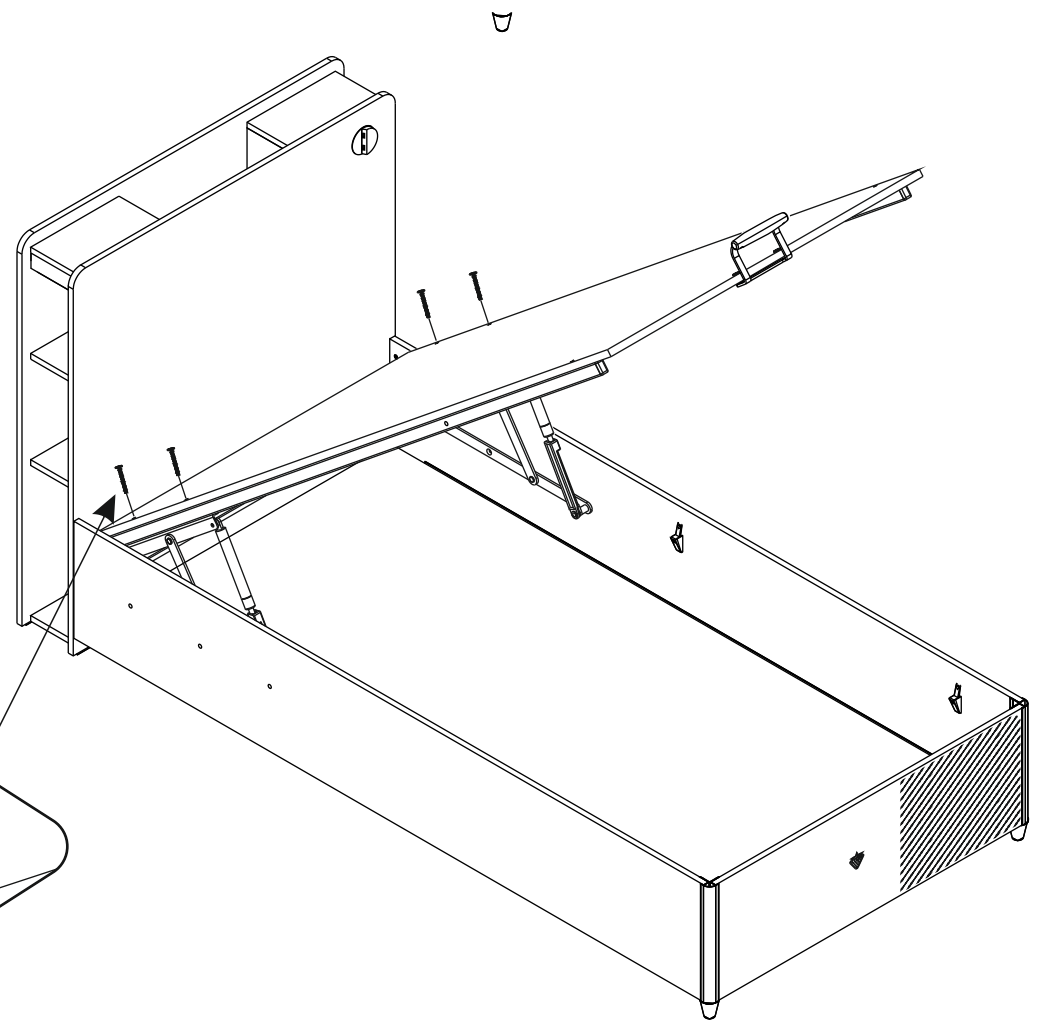
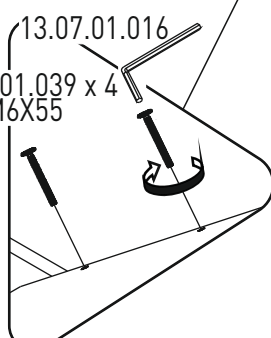


20



21

13.07.01.016
13.03.01.039 x 4
M6X55



22

13.15.01.093 x 1

