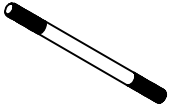


ASSEMBLY INSTRUCTION DT-963

A



X04

B



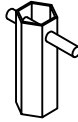
X04

C



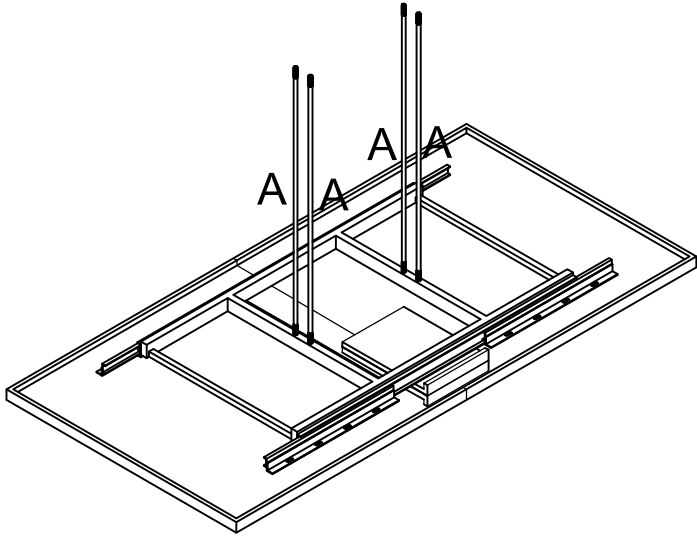
X04

D

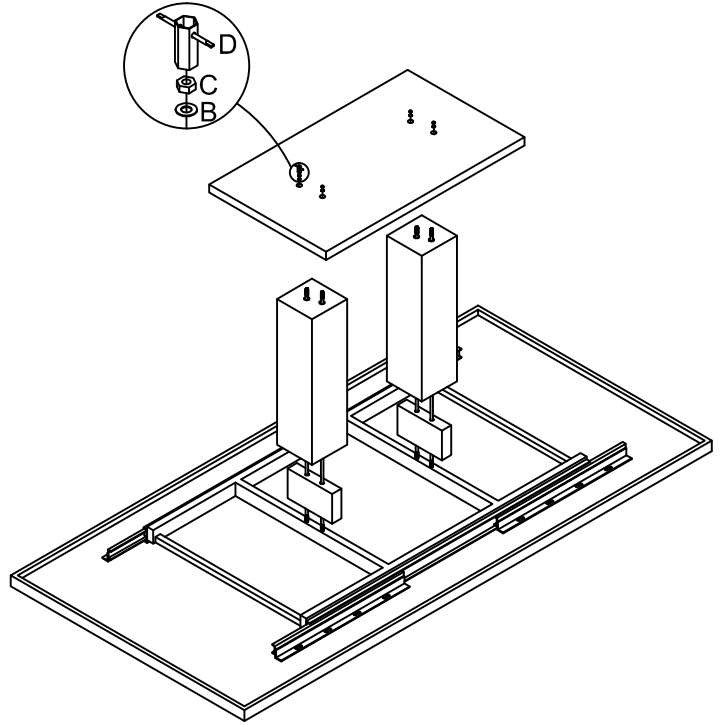


X01

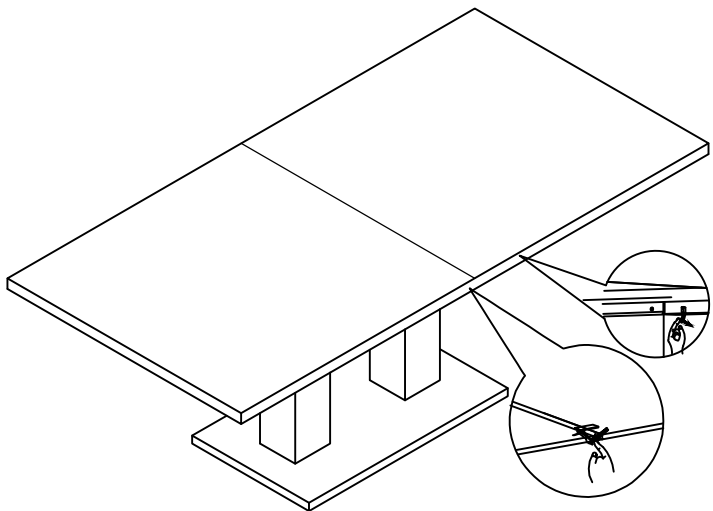
STEP 1.



STEP 2.



STEP 3.



STEP 4.

