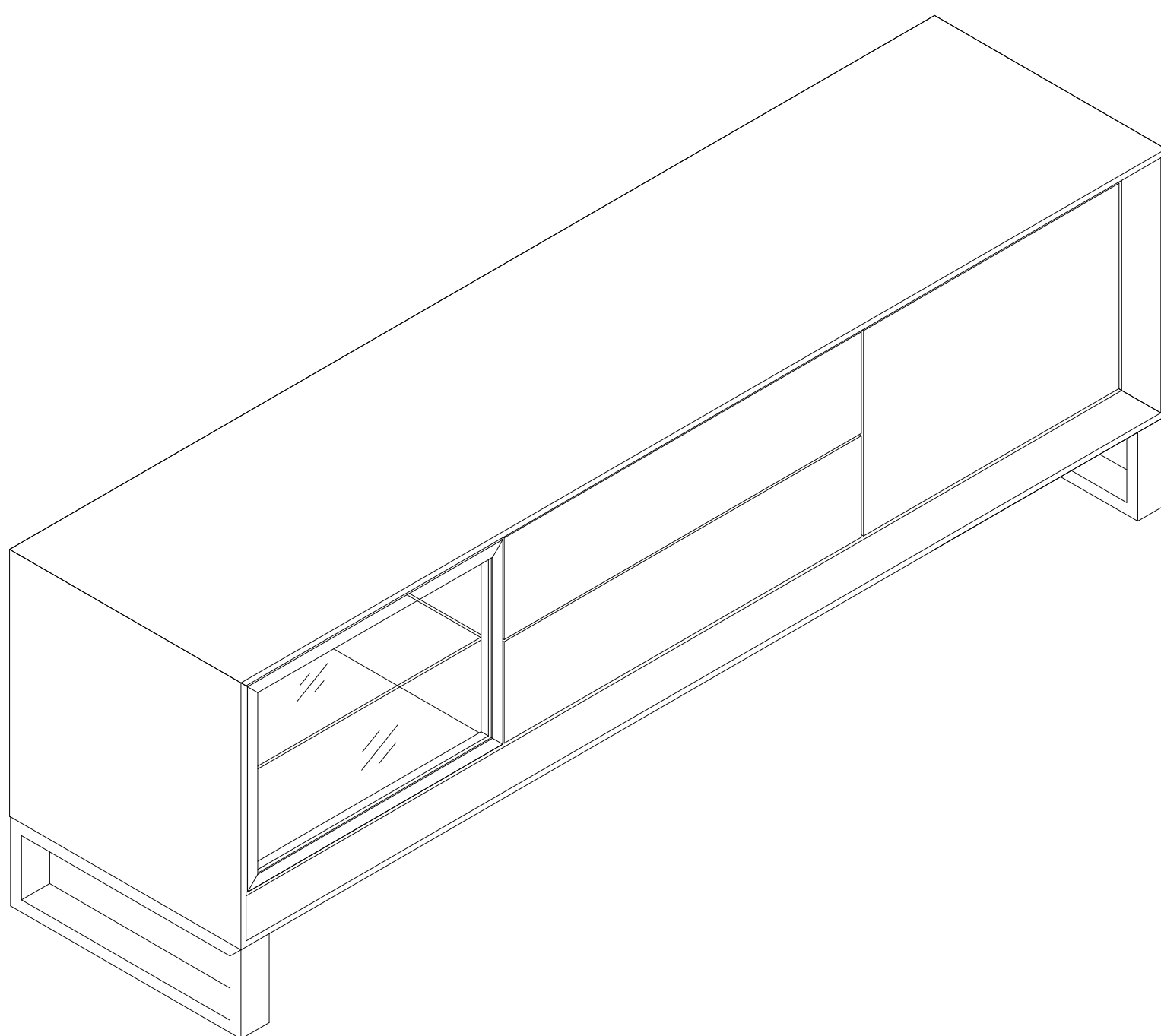
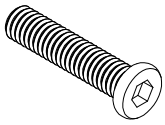
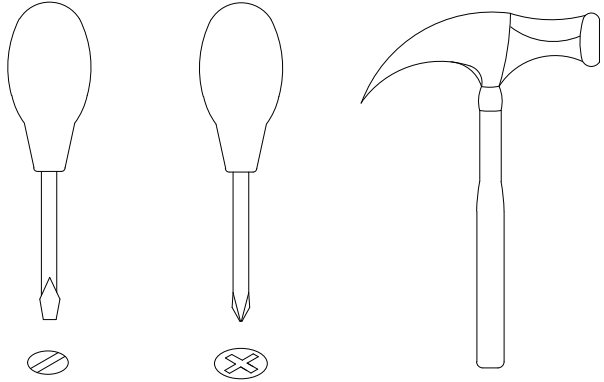
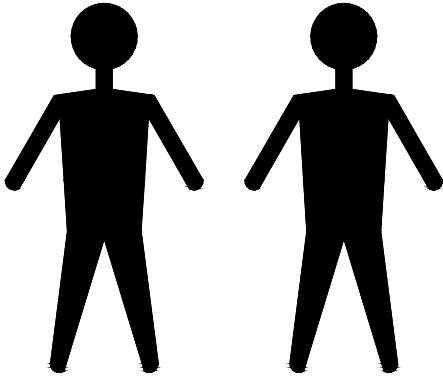


MDI. TV. ZR. 9



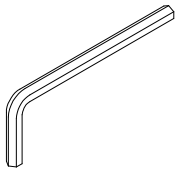
MDI. TV. ZR. 9



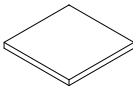
A x10
Spec: 5/16*L40



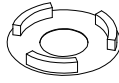
B x10
Spec: $\phi 8.2 * \phi 14$



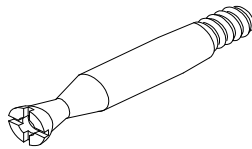
C x1
Spec: 5#



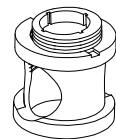
D x4
Spec: 40*40



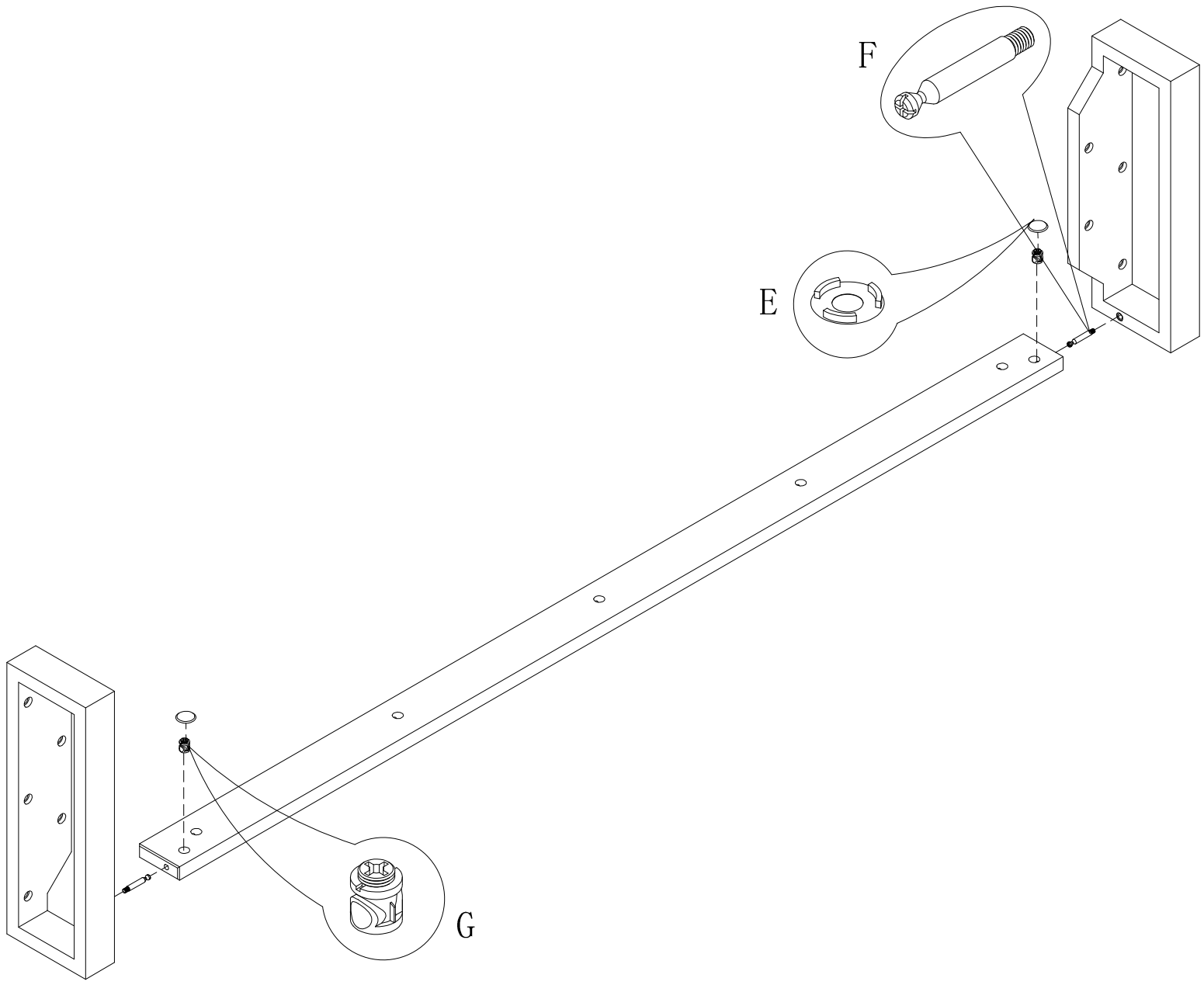
E x7
Spec:



F x7
Spec: $\phi 7 * L48$



G x7
Spec: $\phi 15 * H15$



1

2

