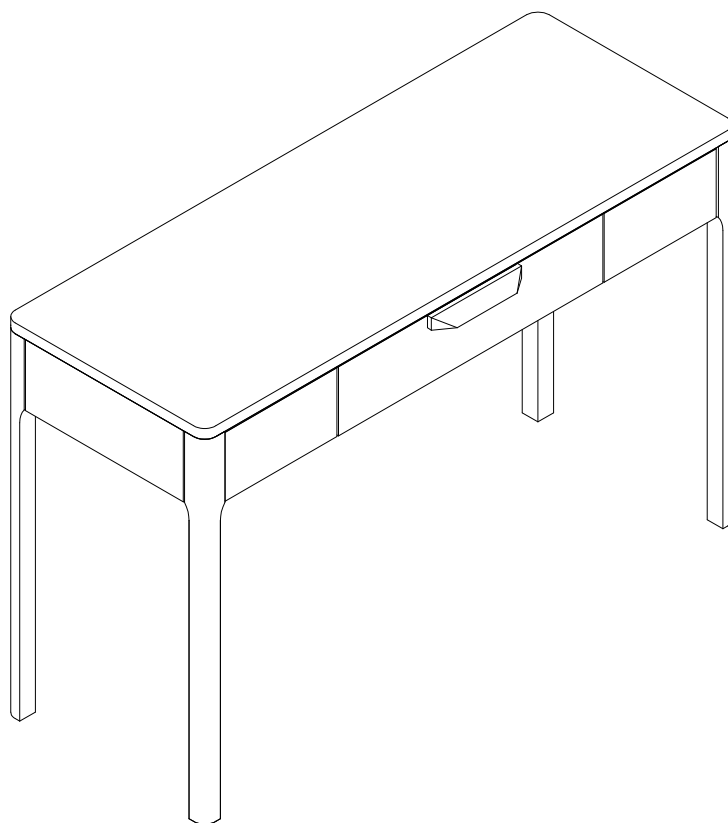
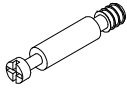
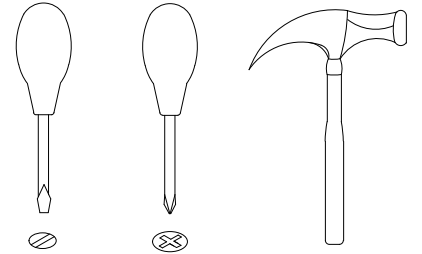
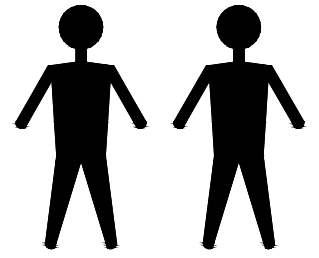


MDI. WD. RD. 37



**EAC**

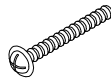
# MDI. WD. RD. 37



B x4  
Spec:  $\phi 7 * L30$



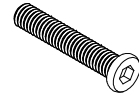
C x4  
Spec:  $\phi 15 * H12$



E x2  
Spec:  $M4 * L21$



F x4  
Spec:



H x8  
Spec:  $5/16 * 35$



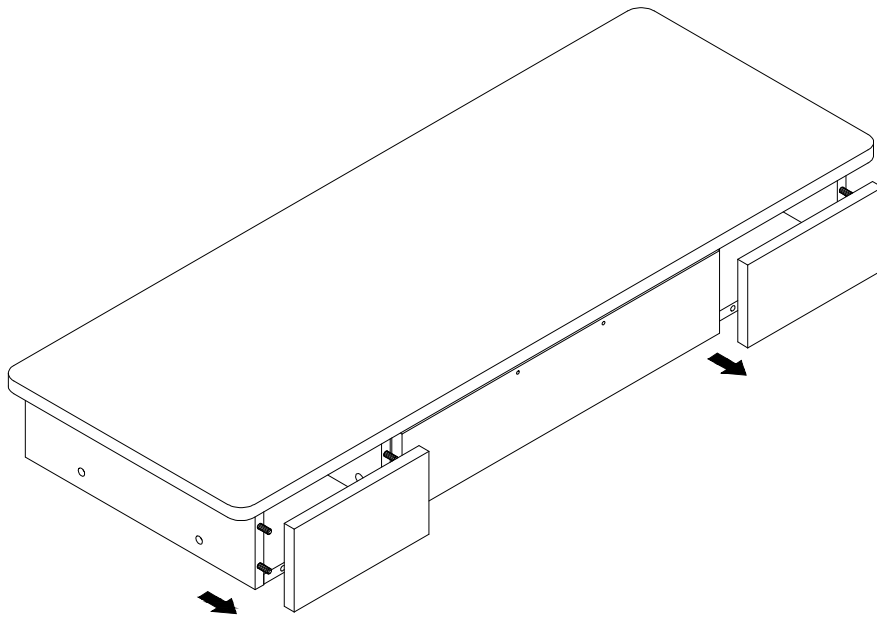
I x8  
Spec:  $\phi 8 * \phi 14$



J x1  
Spec: 5#



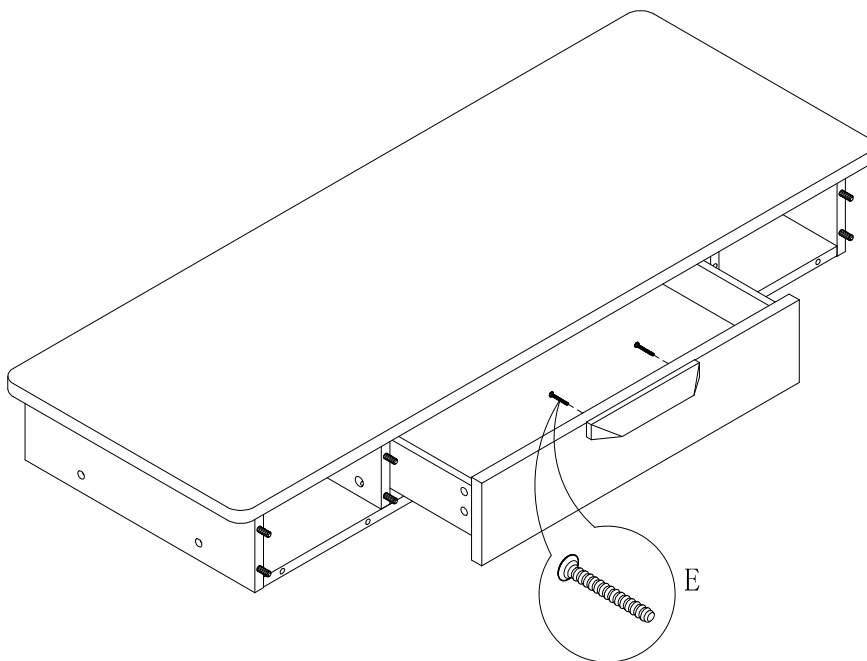
K x8  
Spec:

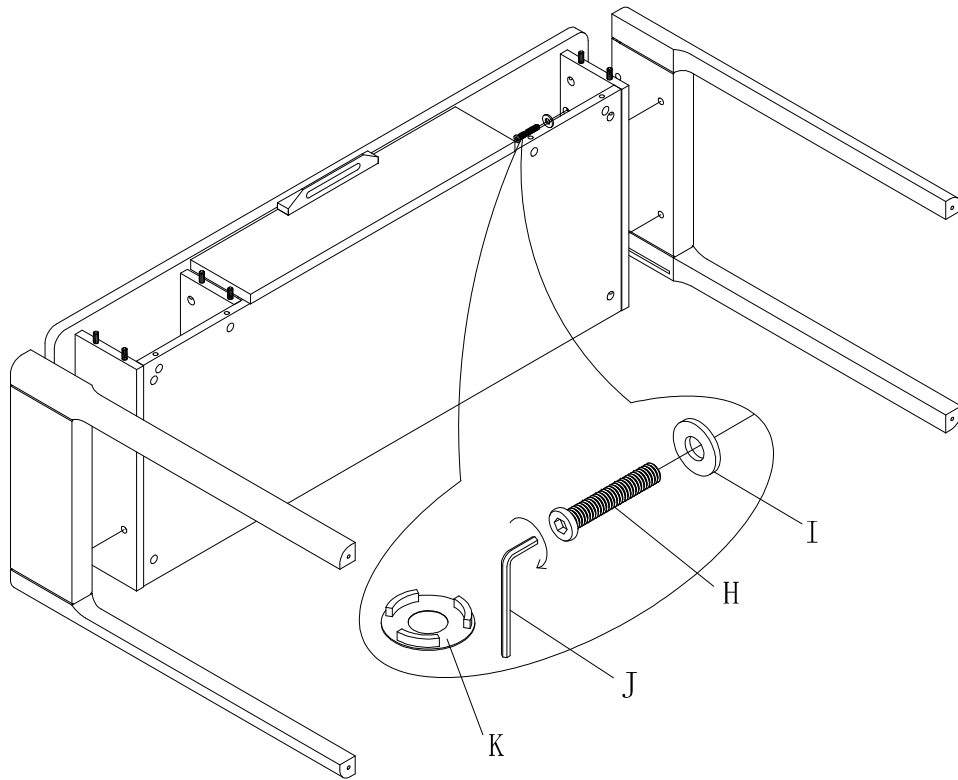


1

---

2





3

4

