





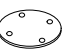


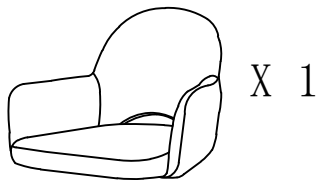


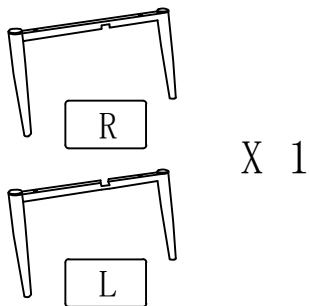
ASSEMBLY INSTRUCTION

A		B		C		D		
 M6*16mm	8PCS	 M6*45mm	4PCS	 M6*18mm	12PCS	 M6*10mm	4PCS	
E		F		G		H		
 200*200*25mm	1PC	 φ65*4mm	1PC	 M4	1PC	 M6	1PC	

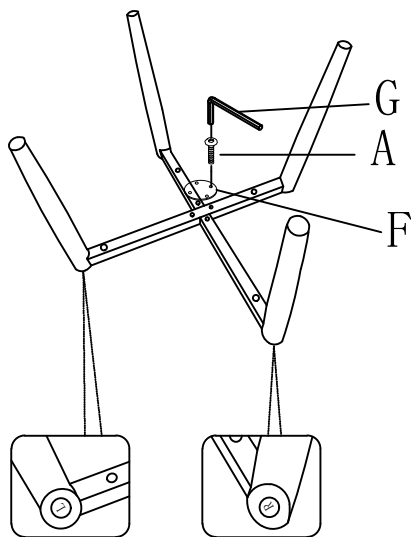
①



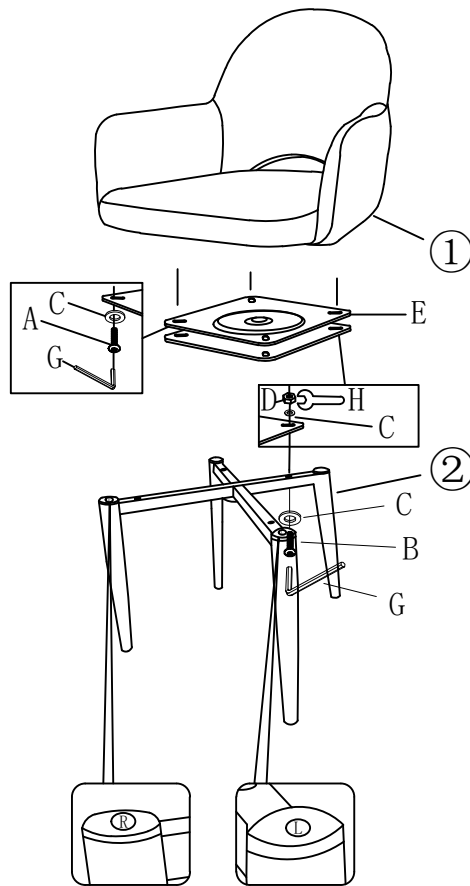
②



Step:1



Step:2



There is a mark "R", please keep it in the front

There is a mark "L", please keep it in the front

